

Minuteman[®]

PowerBoss[®]

LitterBoss[™]

Parts Manual



Minuteman PowerBoss, Inc.

175 Anderson Street

Aberdeen, North Carolina 28315 USA

(910) 944-2167 / FAX (910) 944-7409

Minuteman[®]

PowerBoss[®]

LitterBoss[™]

Parts Manual



Minuteman PowerBoss, Inc.

175 Anderson Street

Aberdeen, North Carolina 28315 USA

(910) 944-2167 / FAX (910) 944-7409

Minuteman®

PowerBoss® PARTS SECTION

LitterBoss™

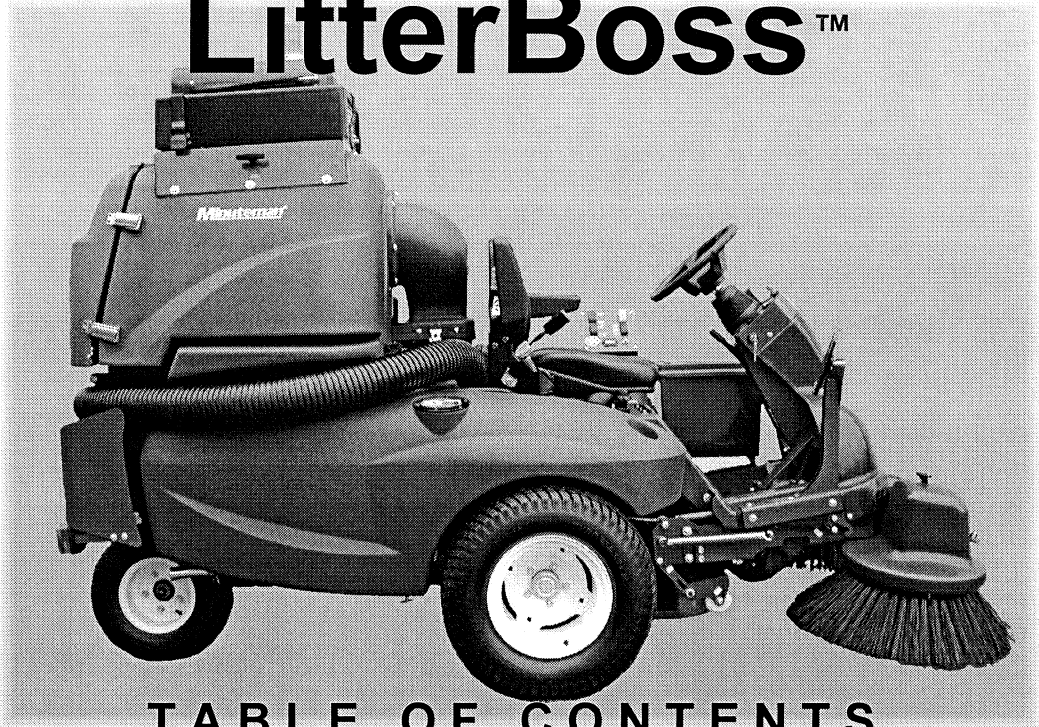
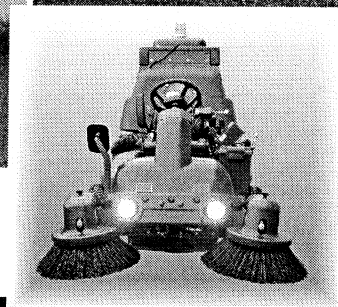
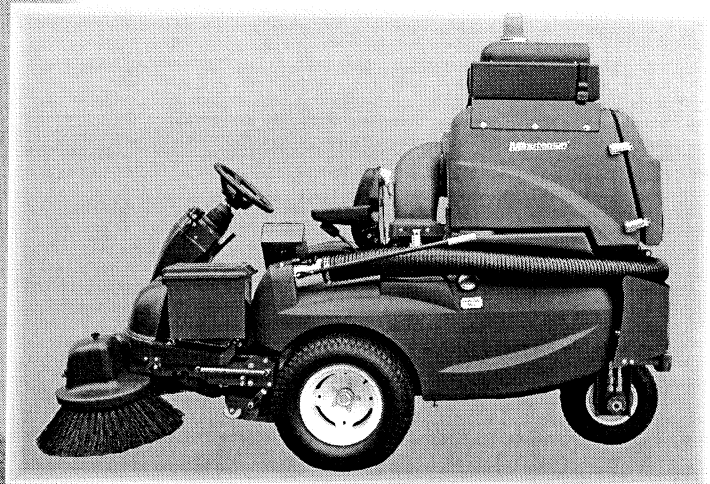


TABLE OF CONTENTS

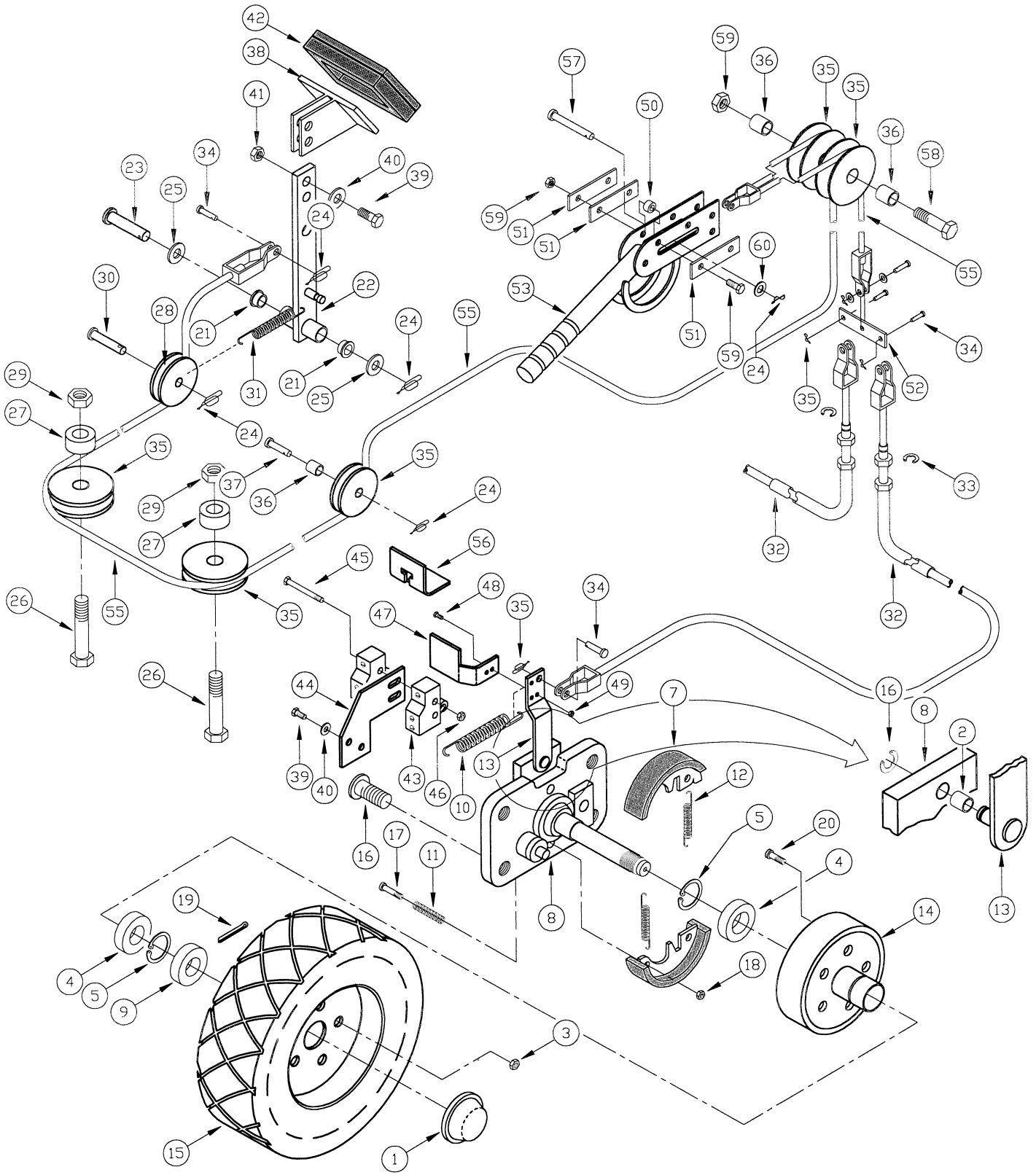
| | |
|--|----|
| Axles, Brakes and Wheels Group | 4 |
| Body (Plastics) Group | |
| Front Panel | 8 |
| Hopper | 10 |
| Side Panels | 14 |
| Console (Side) | 16 |
| Directional Control Group | 18 |
| Engine (Gasoline) Group | |
| Engine, Intake, Exhaust, Radiator, Battery | 20 |
| Engine Mounts, Pulleys | 24 |
| Frame Group | 28 |
| Fuel Tank Group | 32 |
| Hydraulic Group | |
| System | 34 |
| Components | 38 |
| Pump (Main & Auxiliary) | 40 |
| Impeller Group | 42 |
| Rear Wheel Assembly | 44 |

TABLE OF CONTENTS (Continued)

| | |
|-------------------------|----|
| Seat Group..... | 46 |
| Side Broom Group..... | 48 |
| Solution Group..... | 52 |
| Steering Group..... | 54 |
| Vacuum Group..... | 56 |
| Diagrams and Schematics | |
| Hydraulic..... | 60 |
| Wiring..... | 61 |

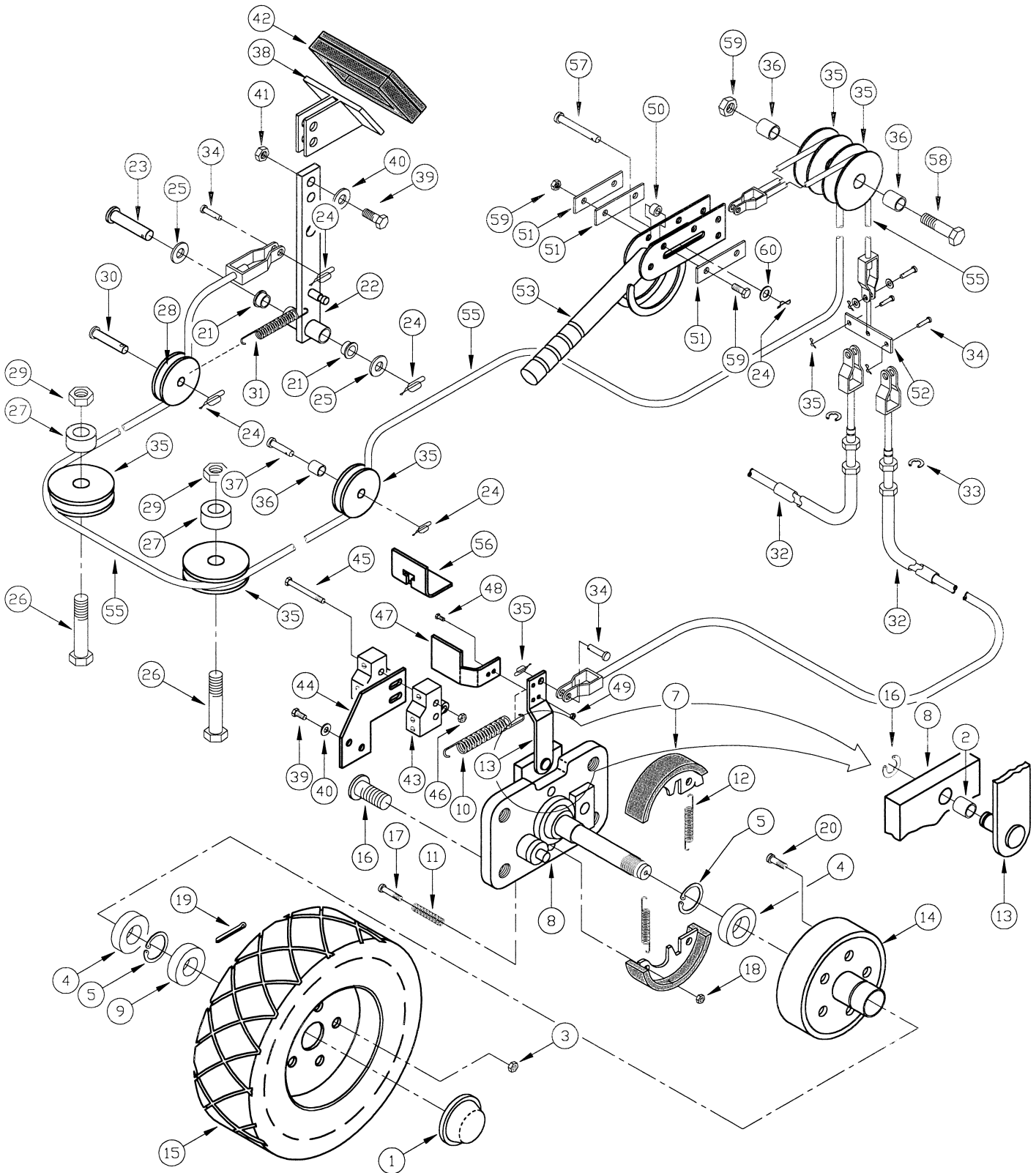


NOTES:



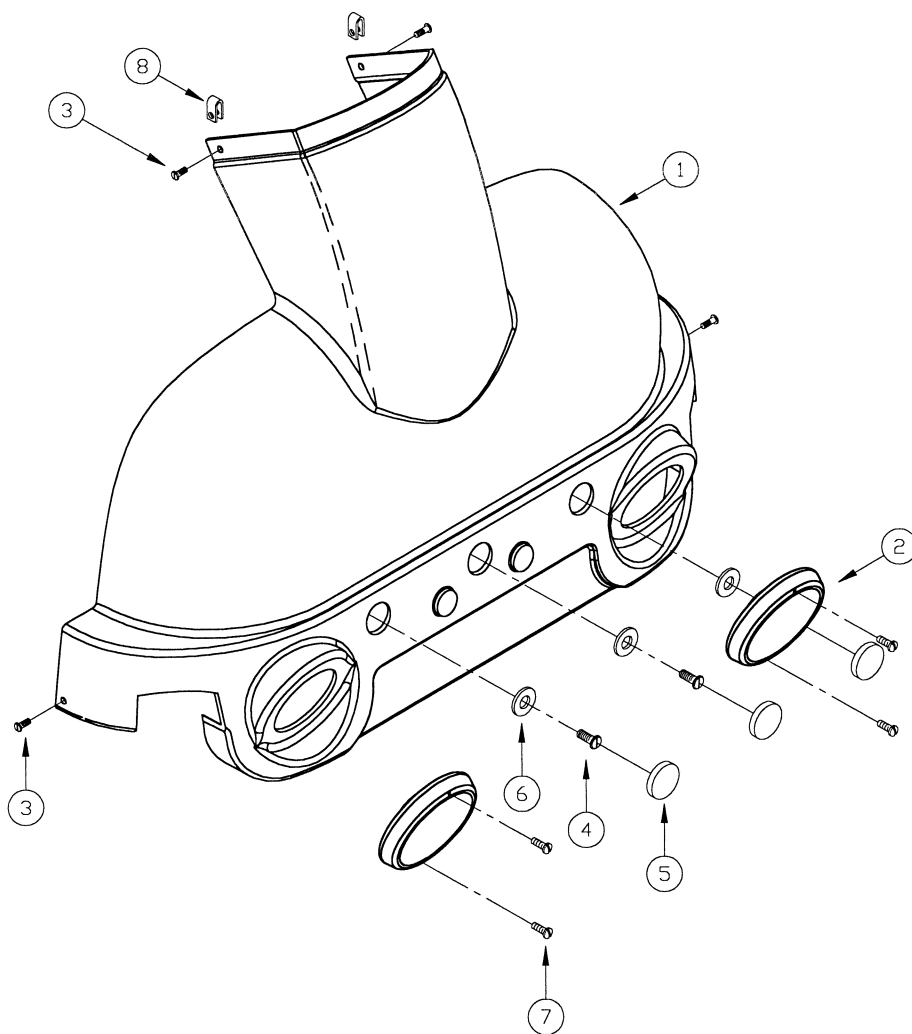
030PX001

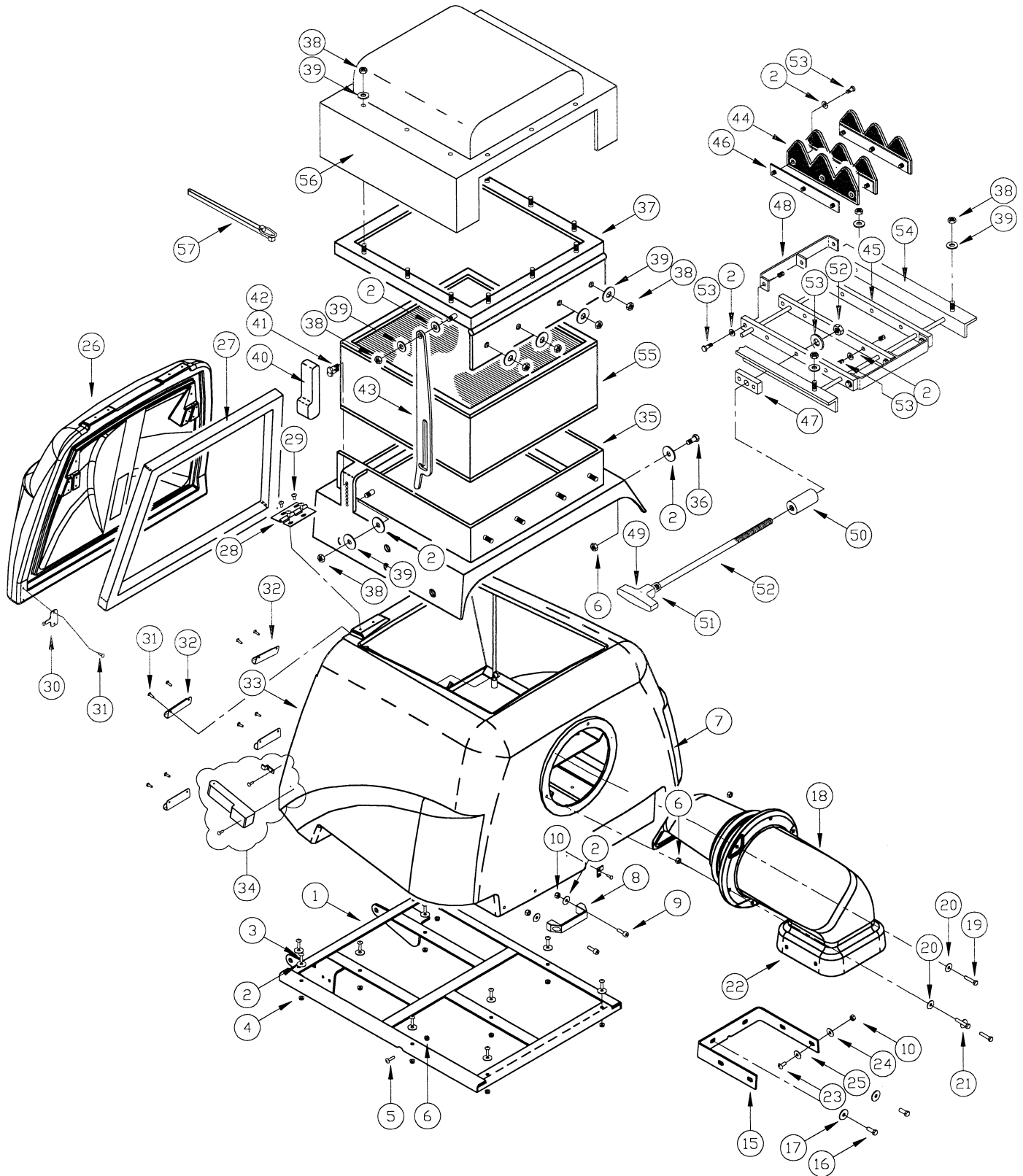
| REF # | PART # | DESCRIPTION | REMARKS | QTY. |
|-------|---------|--------------------------------|---------|------|
| 1 | 3300369 | CAP-HUB | | 2 |
| 2 | 3300410 | BUSHING-1.00 OD X .87 ID | | 2 |
| 3 | 3300411 | NUT-WHEEL LUG | | 10 |
| 4 | 3300467 | BEARING-BALL 2.44 X 1.18 ID | | 4 |
| 5 | 3300473 | RING-RET INT 2.44 | | 4 |
| 6 | 3300484 | RING-RET EXT .87 | | 2 |
| 7 | 3300523 | SHOE-BRAKE W/LINING | | 4 |
| 8 | 3300852 | WELD-FRONT AXLE PNTD | | 2 |
| 9 | 3300876 | SPACER-AXLE FRONT MACH & PLTD | | 2 |
| 10 | 3301517 | SPRING-EXT BRAKE LEVER | | 2 |
| 11 | 3301518 | SPRING-COMP BRAKE SHOE | | 4 |
| 12 | 3301519 | SPRING-EXT BRAKE SHOE | | 4 |
| 13 | 3339074 | WELDMENT-BRAKE LEVER | | 2 |
| 14 | 3339076 | HUB-FRT WHEEL 4.50 BC | | 2 |
| 15 | 3339344 | ASSY- FRONT WHL PBLB | | 2 |
| 16 | 3400006 | SCR-BUT,5/8-11X1.00,SOC | | 8 |
| 17 | 3400060 | SCR-THM #8-32 X 3.00 SS | | 4 |
| 18 | 3400082 | NUT-HEX #8-32 ES ZP | | 4 |
| 19 | 3400120 | PIN-COTTER 5/32 X 2.00 ZP | | 2 |
| 20 | 3400938 | STUD-FRONT WHEEL 62/72 | | 10 |
| 21 | 3300414 | BUSHING-PLASTIC MN BRM | | 2 |
| 22 | 3339138 | WELDMENT-BRAKE PEDAL ARM | | 1 |
| 23 | 3400115 | PIN-CLEVIS 3/8 X 3.00 ZP | | 1 |
| 24 | 3400125 | PIN-COTTER 3/8 RUE-RING | | 10 |
| 25 | 3400087 | WASHER-FLAT 3/8 STANDARD ZP | | 2 |
| 26 | 3400417 | SCR-3/8-24X1-3/8UNF TRUSS PHIL | | 2 |
| 27 | 3300035 | SPACER-BRAKE PULLEY PLTD | | 2 |
| 28 | 3300368 | PULLEY-PLASTIC | | 10 |
| 29 | 3402044 | NUT-HEX JAM 3/8-24 ES ZP | | 1 |
| 30 | 3400185 | PIN-CLEVIS 5/16 X 1-1/4 ZP | | 1 |
| 31 | 3304160 | SPRING-EXTENTION 2.00 LG | | 1 |
| 32 | 3323671 | CABLE-PARKING BRAKE R/H TC/1 | | 2 |
| 33 | 3400773 | RING-RETAINING E-CLIP 3/8 | | 1 |
| 34 | 3400118 | PIN-CLEVIS 5/16 X 7/8 ZP | | 5 |
| 35 | 3300367 | PULLEY-BRAKE | | 5 |



030PX001

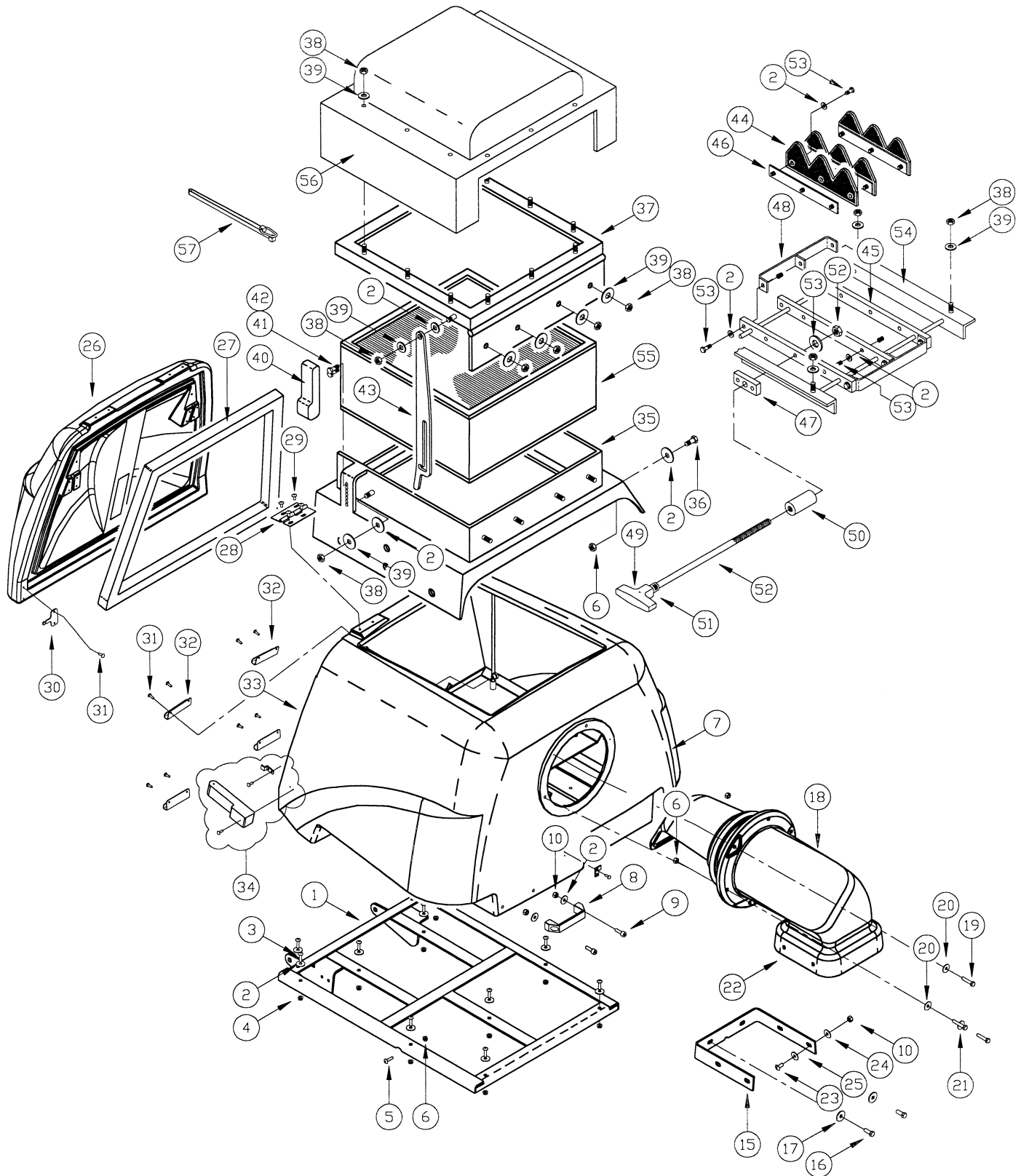
| REF # | PART # | DESCRIPTION | REMARKS | QTY. |
|-------|---------|-------------------------------|---------|------|
| 36 | 3339517 | SLEEVE-.50 OD X .39 ID X .45 | | 3 |
| 37 | 3400266 | PIN-CLEVIS 3/8 X 2.00 ZP | | 1 |
| 38 | 3339135 | WELDMENT-PEDAL MOUNT | | 1 |
| 39 | 3400041 | SCR-HEX,1/4-20X0.88 ZP | | 4 |
| 40 | 3400383 | WASHER-CONICAL SPRING 1/4 | | 4 |
| 41 | 3400063 | NUT-FLANGE LOCK 1/4-20 ZP | | 2 |
| 42 | 210142 | PEDAL PAD | | 1 |
| 43 | 3312603 | SWITCH-SEALED ROLLER | | 2 |
| 44 | 3339429 | MOUNT-SAFETY SWITCH | | 1 |
| 45 | 3400495 | SCR-PAN,#06-32X1.75,SLT ZP | | 2 |
| 46 | 3400492 | NUT-#6-32 ELASTIC STOP | | 2 |
| 47 | 3339430 | ARM-SAFETY SWITCH | | 1 |
| 48 | 3400045 | SCR-PAN,#8-32X0.62,SLT ZP | | 2 |
| 49 | 3400082 | NUT-HEX #8-32 ES ZP | | 2 |
| 50 | 3307241 | SPACER-HAND BRAKE PLTD SW/A | | 2 |
| 51 | 3307273 | BAR-HAND BRK SPACER PLTD SW/A | | 4 |
| 52 | 3339077 | BAR-BRAKE EQUALIZER | | 1 |
| 53 | 3339079 | BRAKE LEVER-LITTTERBOSS | | 1 |
| 54 | 3400434 | SCR-HEX,3/8-16X2.50 ZP | | 2 |
| 55 | 3339299 | CABLE-BRAKE LEVER | | 1 |
| 56 | 3339549 | WELDMENT-BRAKE CABLE MOUNT | | 1 |
| 57 | 3401982 | PIN-CLEVIS 5/16 X 1-5/8 | | 1 |
| 58 | 3400027 | SCR-HEX,3/8-16X1.75 ZP | | 1 |
| 59 | 3400079 | NUT-HEX 3/8-16 ES ZP | | 3 |
| 60 | 3400088 | WASHER-FLAT 5/16 STANDARD ZP | | 1 |
| - | - | END OF THIS SECTION | - | - |
| | | | | |
| | | | | |
| | | | | |
| | | | | |
| | | | | |
| | | | | |
| | | | | |
| | | | | |
| | | | | |
| | | | | |
| | | | | |
| | | | | |
| | | | | |





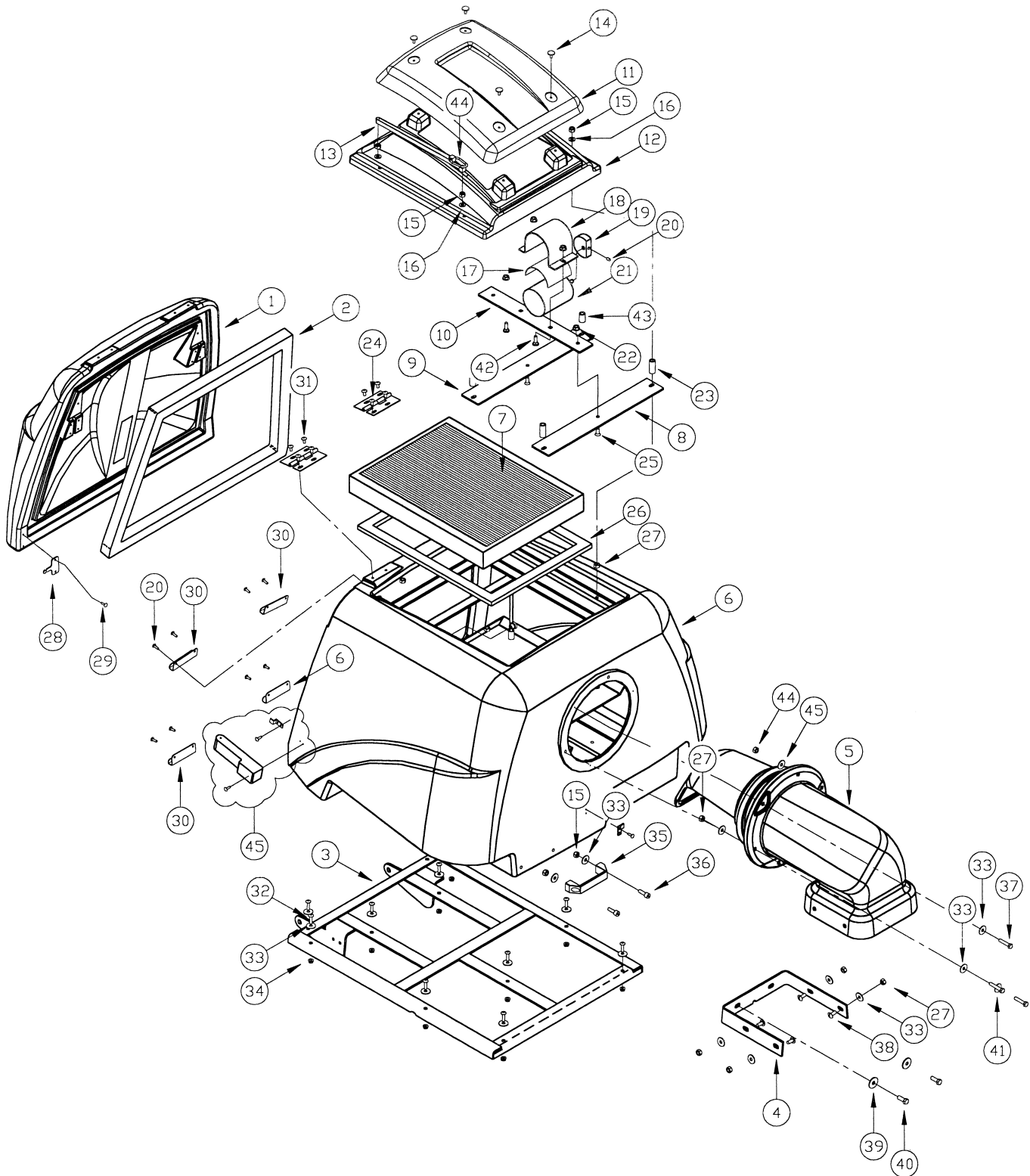
012PX002

| REF # | PART # | DESCRIPTION | REMARKS | QTY. |
|-------|---------|------------------------------|-----------|------|
| 1 | 3339419 | WELDMENT - TANK MOUNT | | 1 |
| 2 | 3400233 | WASHER-FENDER 5/16 1.00 OD | | 30 |
| 3 | 3400058 | SCR-TRS,1/4-20X1.00,SLT ZP | | 11 |
| 4 | 3400063 | NUT-FLANGE LOCK 1/4-20 ZP | | 11 |
| 5 | 3300376 | STUD-BALL GAS SPRING | | 2 |
| 6 | 3400080 | NUT-HEX 5/16-18 ES ZP | | 10 |
| 7 | 3339300 | TANK HOPPER LITTERBOSS | | 1 |
| 8 | 3301297 | HANDLE-PLASTIC | | 1 |
| 9 | 3400056 | SCR-TRS,5/16-18X1.00,SLT ZP | | 2 |
| 10 | 3400070 | NUT, HEX 5/16-18 ZP | | 6 |
| - | 3339551 | STRAINER - REGEN | Not Shown | 1 |
| - | 711161 | SCR HI/LO #10 X 3/4 PL | Not Shown | 6 |
| - | 3400400 | WASHER-FLAT #10 SS | Not Shown | 6 |
| - | 3339652 | PLATE - HOPPER DUMP RAMP | Not Shown | 1 |
| 15 | 3339266 | BRKT - CHUTE MTG | | 1 |
| 16 | 3400030 | SCR-HEX,3/8-16X1.00 ZP | | 2 |
| 17 | 3400278 | WASHER-FENDER 3/8 | | 2 |
| 18 | 3339304 | CHUTE LITTERBOSS | | 1 |
| 19 | 3400033 | SCR-HEX,5/16-18X1.50 ZP | | 3 |
| 20 | 3400233 | WASHER-FENDER 5/16 1.00 OD | | 7 |
| 21 | 3400038 | SCR-HEX,5/16-18X2.25 ZP | | 2 |
| 22 | 3339651 | PLATE - WD GASKET SURFACE | | 1 |
| 23 | 3400009 | SCR-CAR,5/16-18X1.00 ZP | | 4 |
| 24 | 3400102 | WASHER-LOCK 5/16 SPLIT ZP | | 4 |
| 25 | 3400088 | WASHER-FLAT 5/16 STANDARD ZP | | 4 |
| 26 | 3339301 | LID LITTERBOSS | | 1 |
| 27 | 3339535 | GASKET-TANK LID | | 1 |
| 28 | 3339269 | HINGE - TANK DOOR | | 2 |
| 29 | 710178 | SCR-MC 1/4-20X.50 TRUSS STPL | | 8 |
| 30 | 3339588 | PLATE - HOPPER LID RETAINER | | 1 |
| 31 | 711160 | SCR HI/LO #10 X 5/8 PL | | 10 |
| 32 | 3339473 | J - BRACKET - WIRE FORM | | 4 |
| - | 3339471 | WIRE - BAG RETAINER | Not Shown | 1 |
| 34 | 3308240 | LATCH-OVER CENTER ADJUSTMENT | | 4 |
| 35 | 3339734 | WELDMENT - FILTER HOUSING | | 1 |



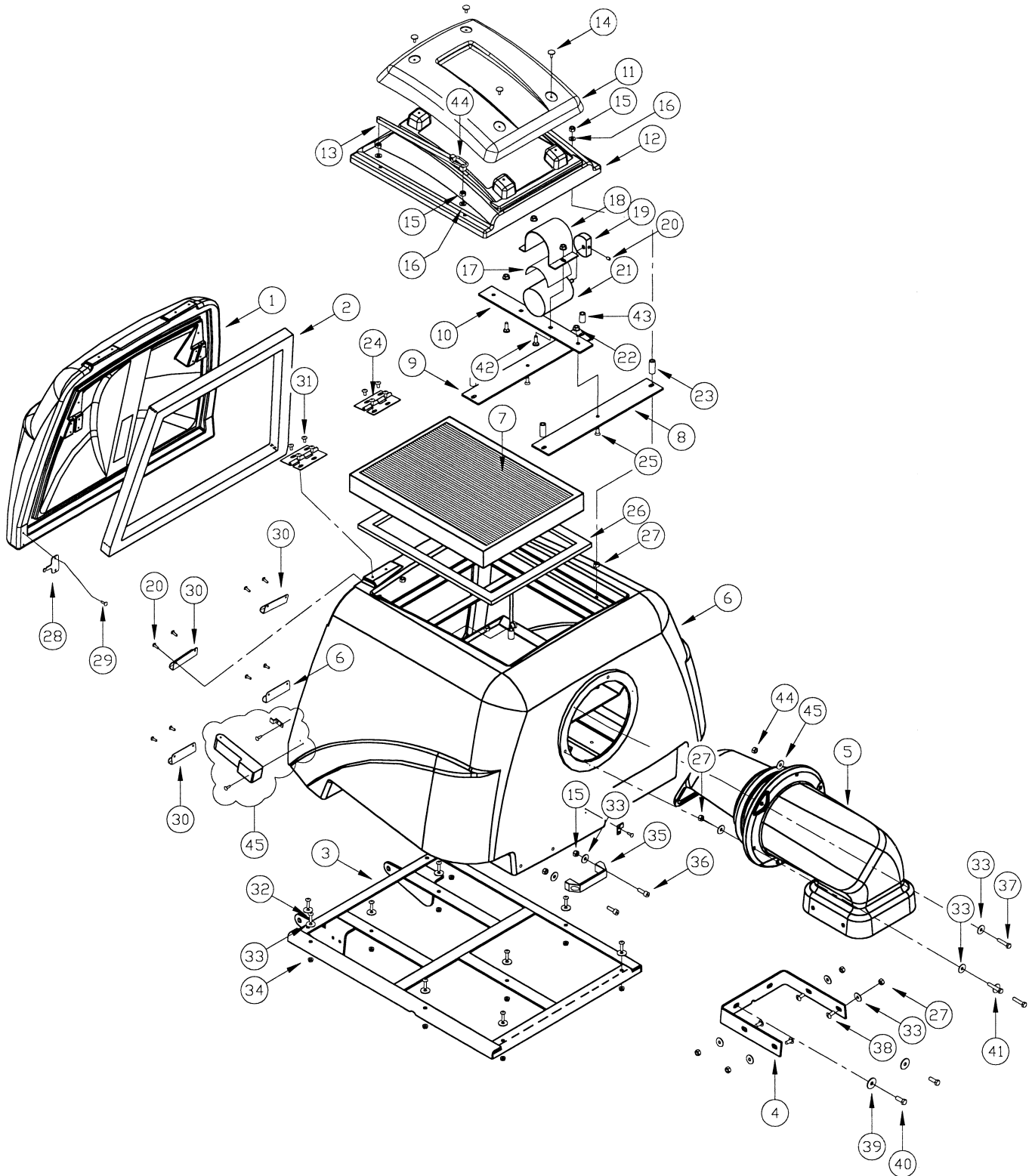
012PX002

| REF # | PART # | DESCRIPTION | REMARKS | QTY. |
|-------|---------|----------------------------------|---------|------|
| 36 | 3400035 | SCR-HEX,5/16-18X1.00 ZP | | 6 |
| 37 | 3339742 | WELDMENT - FRAME FILTER HOOD | | 1 |
| 38 | 3400081 | NUT-HEX 1/4-20 ES ZP | | 10 |
| 39 | 3400089 | WASHER-FLAT 1/4 STANDARD ZP | | 10 |
| 40 | 340664 | SOFT LATCH W/KEEPER ZP | | 2 |
| 41 | 3400315 | SCR - HEX, #10-32X0.50 ZP | | 4 |
| 42 | 3400172 | NUT-HEX JAM #10-32 ES ZP | | 4 |
| 43 | 3339747 | PLATE - FILTER LATCH | | 1 |
| 44 | 3339755 | FLAP - FILTER | | 3 |
| 45 | 3339754 | BAR - FLAP BASE | | 3 |
| 46 | 3339748 | PLATE - RETAINER | | 2 |
| 47 | 3339761 | BAR - ROD BUSHING | | 2 |
| 48 | 3339753 | ASSY - SUPPORT | | 2 |
| 49 | 3339757 | T - HANDLE - FILTER CLEANER | | 1 |
| 50 | 3339764 | SPACER - 1'OD X 1/4 WALL X 1 1/8 | | 1 |
| 51 | 3339768 | GASKET - HANDLE 3/4" X 1/2" | | 1 |
| 52 | 3400392 | NUT-FLANGE LOCK 3/8-16 | | 3 |
| 53 | 3400092 | WASHER-FENDER 3/8 ZP | | 3 |
| 54 | 3339762 | WELDMENT - GUIDE RAIL FRONT | | 1 |
| 55 | 3339746 | FILTER-DUST CONTROL LBOSS | | 1 |
| 56 | 3339771 | HOOD-FILTER | | 1 |
| 57 | 3339590 | STRAP - 24" TANK LID | | 1 |
| - | - | END OF THIS SECTION | - | - |
| | | | | |
| | | | | |
| | | | | |
| | | | | |
| | | | | |
| | | | | |
| | | | | |
| | | | | |
| | | | | |
| | | | | |
| | | | | |
| | | | | |
| | | | | |
| | | | | |
| | | | | |
| | | | | |
| | | | | |
| | | | | |



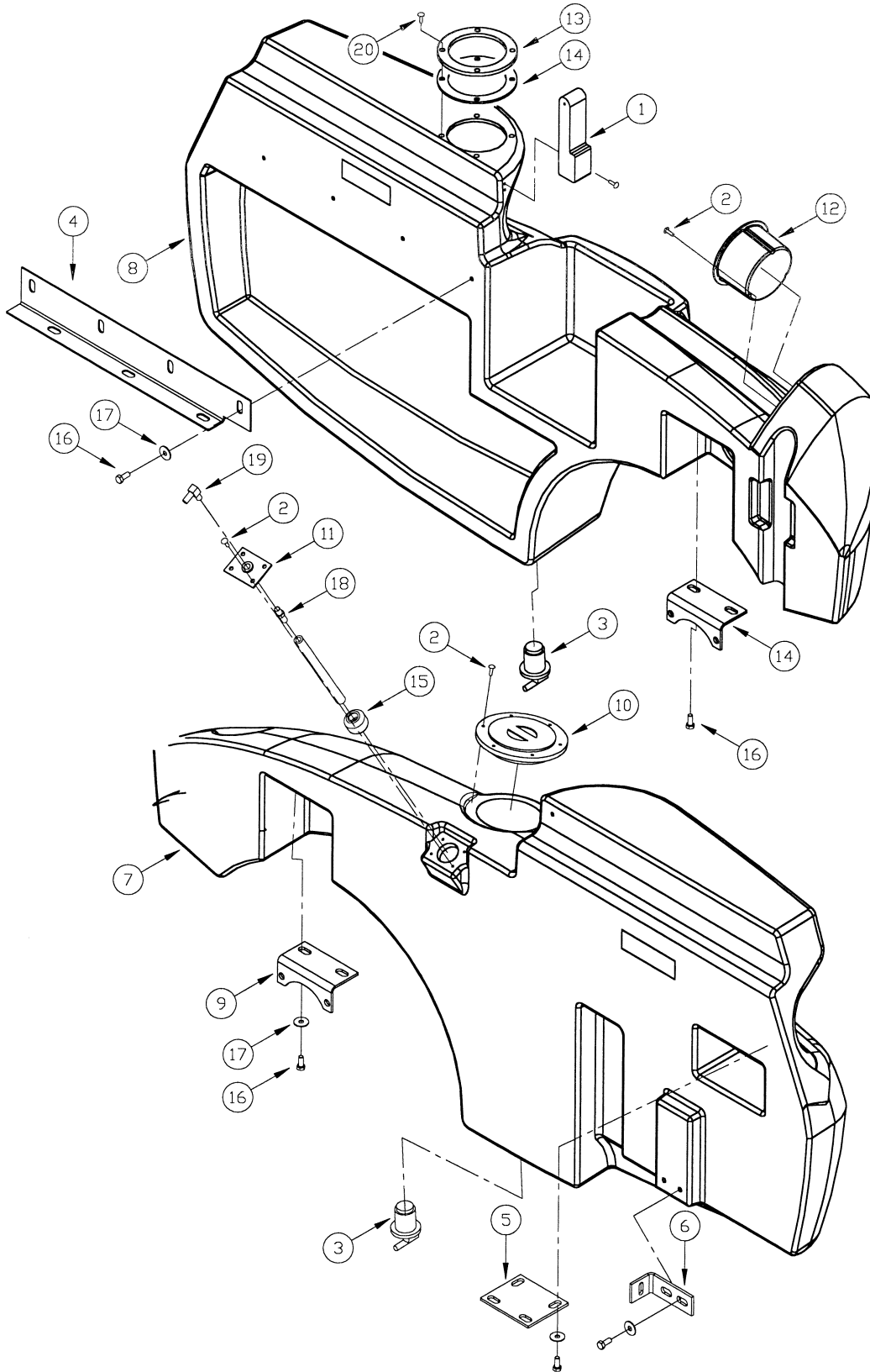
012PX002a

| REF # | PART # | DESCRIPTION | REMARKS | QTY. |
|-------|---------|------------------------------|---------|------|
| 1 | 3339301 | LID LITTERBOSS | | 1 |
| 2 | 3339535 | GASKET-TANK LID | | 1 |
| 3 | 3339419 | WELDMENT-TANK MOUNT | | 1 |
| 4 | 3339266 | BRKT-CHUTE MTG | | 1 |
| 5 | 3339304 | CHUTE LITTERBOSS | | 1 |
| 6 | 3339300 | TANK HOPPER LITTERBOSS | | 1 |
| 7 | 3339746 | FILTER | | 1 |
| 8 | 3300921 | BAR-FILTER RET MS | | 1 |
| 9 | 3300921 | BAR-FILTER RET MS | | 1 |
| 10 | 3300917 | MOUNT-FILTER SHAKER PNTD | | 1 |
| 11 | 3339311 | CAP-FILTER COVER | | 1 |
| 12 | 3339310 | COVER-FILTER | | 1 |
| 13 | 3339590 | STRAP-24" TANK LID | | 1 |
| 14 | 450290 | SNAP-IN FASTENER | | 4 |
| 15 | 3400080 | NUT-HEX 5/16-18 ES ZP | | 6 |
| 16 | 3400088 | WASHER-FLAT 5/16 STANDARD ZP | | 4 |
| 17 | 3300904 | MOUNT-NEOPRENE SHAKER MTR | | 1 |
| 18 | 3300915 | RETAINER-SHAKER MOTOR PNTD | | 1 |
| 19 | 3301053 | WEIGHT ECCENTRIC PNTD | | 1 |
| 20 | 3400826 | SCR-SOC HD CAP 1/4-28 X 1/4 | | 1 |
| 21 | 3300424 | MOTOR-SHAKER FILTER | | 1 |
| 22 | 3400390 | NUT-FLANGE LOCK 5/16-18 | | 4 |
| 23 | 3339539 | SPACER-FILTER COVER | | 2 |
| 24 | 3339269 | HINGE-TANK DOOR | | 2 |
| 25 | 3400329 | SCR-FLT,5/16-18X.75,SLT ZP | | 2 |
| 26 | 3339543 | GASKET-HOPPER FILTER | | 1 |
| 27 | 3400070 | NUT-HEX 5/16-18 ZP | | 10 |
| 28 | 3339588 | PLATE-HOPPER LID RETAINER | | 1 |
| 29 | 711160 | SCR HI/LO #10 X 5/8 PL R | | 16 |
| 30 | 3339473 | J-BRACKET-WIRE FORM | | 4 |
| 31 | 710178 | SCR-MC 1/4-20X.50 STPL | | 8 |
| 32 | 3400058 | SCR-TRS,1/4-20X1.00,SLT ZP | | 11 |
| 33 | 3400233 | WASHER-FENDER 5/16 1.00 OD | | 24 |
| 34 | 3400063 | NUT-FLANGE LOCK 1/4-20 ZP | | 11 |
| 35 | 3301297 | HANDLE-PLASTIC | | 1 |



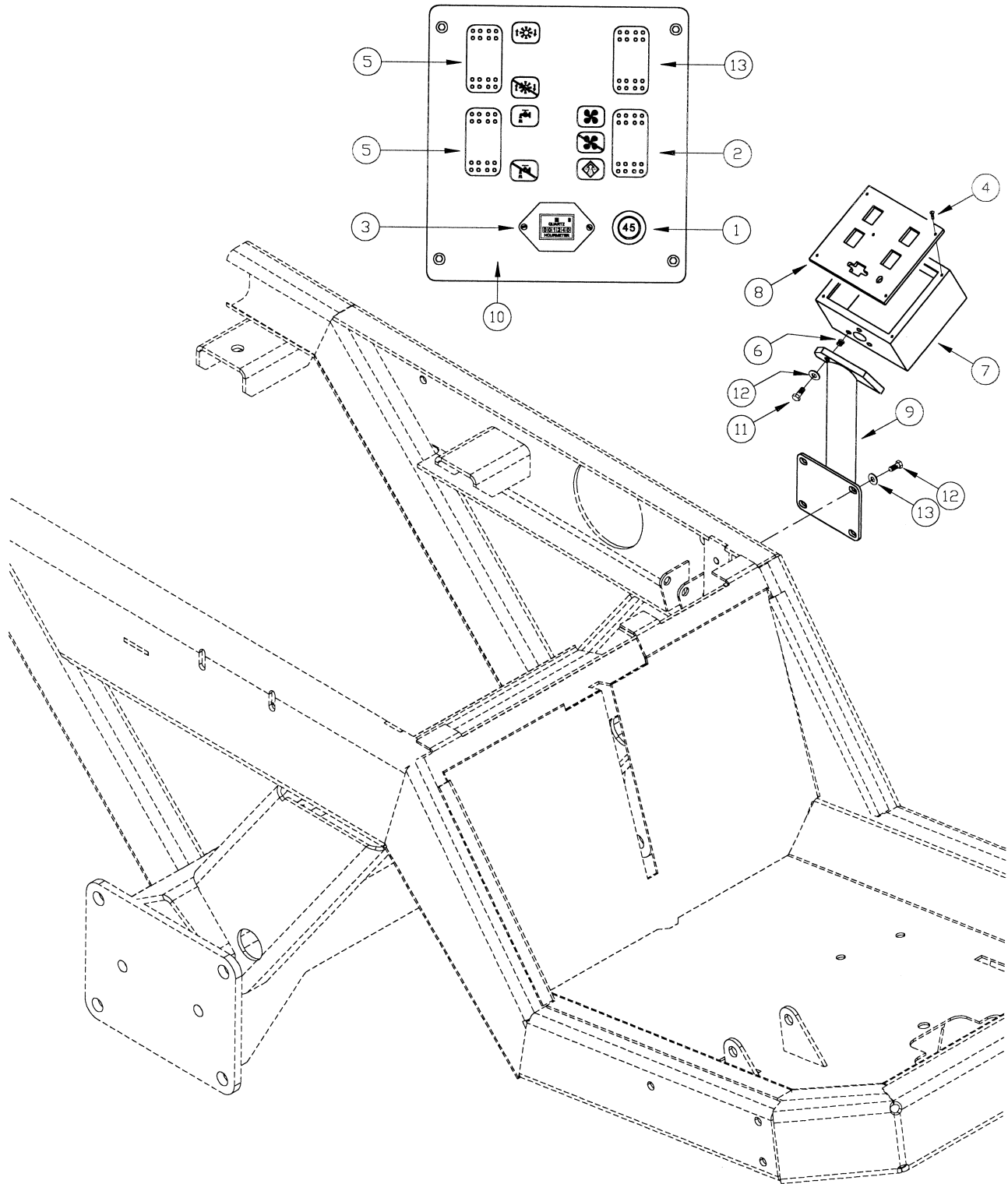
012PX002a

| REF # | PART # | DESCRIPTION | REMARKS | QTY. |
|-------|---------|-----------------------------------|---------|------|
| 36 | 3400478 | SCR-SOC,5/16-18X1.0 ZP | | 2 |
| 37 | 3400033 | SCR-HEX,5/16-18X1.50 ZP | | 3 |
| 38 | 3400056 | SCR-TRS,5/16-18X1.00,SLT ZP | | 4 |
| 39 | 3400378 | SCR-HEX,3/8-24X3.00 ZP F'THD | | 2 |
| 40 | 3400030 | SCR-HEX,3/8-16X1.00 ZP | | 2 |
| 41 | 3400311 | SCR-HEX,5/16-18X1.75 ZP F'THD | | 2 |
| 42 | 3400009 | SCR-CAR,5/16-18X1.00 ZP | | 2 |
| 43 | 3339540 | SPACER-FILTER COVER | | 2 |
| 44 | 3339591 | LINK-1/4" SNAP | | 1 |
| 45 | 340664 | SOFT LATCH W/KEEPER | | 4 |
| - | - | <i>END OF THIS SECTION</i> | - | - |
| | | | | |
| | | | | |
| | | | | |
| | | | | |
| | | | | |
| | | | | |
| | | | | |
| | | | | |
| | | | | |
| | | | | |
| | | | | |
| | | | | |
| | | | | |
| | | | | |
| | | | | |
| | | | | |
| | | | | |
| | | | | |
| | | | | |
| | | | | |
| | | | | |
| | | | | |
| | | | | |
| | | | | |
| | | | | |
| | | | | |



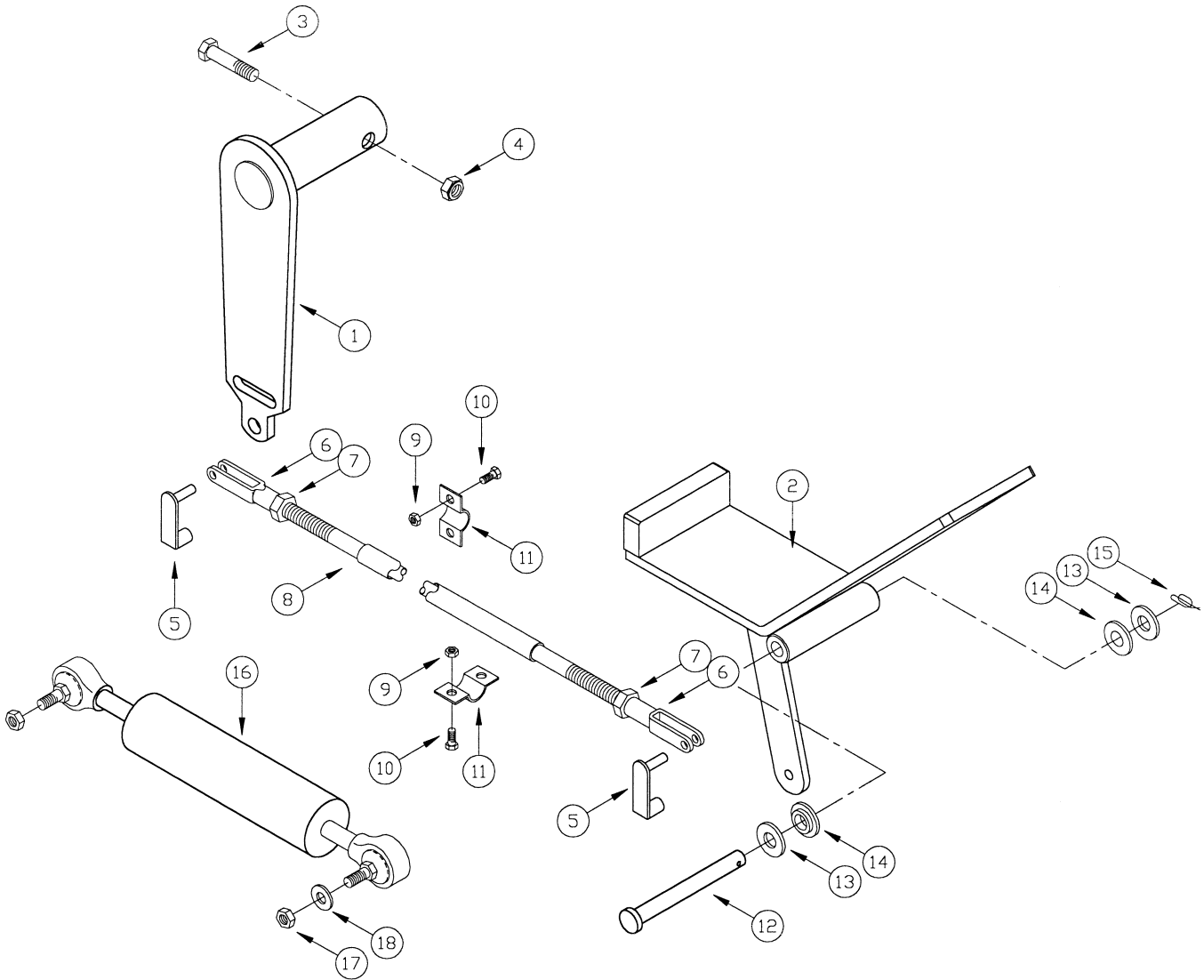
012PX003

| REF # | PART # | DESCRIPTION | REMARKS | QTY. |
|--------------|---------------|--------------------------------|----------------|-------------|
| 1 | 340664 | SOFT LATCH W/KEEPER | | 1 |
| 2 | 711161 | SCR HI/LO #10 X 3/4 PL /4 NPT | | 3 |
| 3 | 833316 | DRAIN PLUG | | 2 |
| 4 | 3339197 | ANGLE-FENDER MOUNT | | 1 |
| 5 | 3339198 | PLATE-FENDER MOUNT | | 1 |
| 6 | 3339199 | BRKT-FENDER MOUNT LOWER | | 1 |
| 7 | 3339302 | FENDER RIGHT | | 1 |
| 8 | 3339303 | FENDER LEFT | | 1 |
| 9 | 3339350 | WELDMNT-FENDER MOUNT | | 2 |
| 10 | 3339402 | CAP-FILL 4.00 | | 1 |
| 11 | 3339423 | WELDMNT-PICKUP TUBE | | 1 |
| 12 | 3339438 | WAND CUP-PLASTIC | | 1 |
| 13 | 3339543 | GASKET-HOPPER FILTER | | 1 |
| 14 | 3339550 | MOUNT-REGEN SEAL | | 1 |
| 15 | 3339553 | STRAINER-TANK | | 1 |
| 16 | 3400032 | SCR-HEX,3/8-16X0.75 ZP | | 3 |
| 17 | 3400080 | NUT-HEX 5/16-18 ES ZP | | 2 |
| 18 | 3400261 | FTG-HOSE BARB 1/4 MPT TO 3/8 | | 1 |
| 19 | 3400793 | FTG-90 DEG 3/8 BARB TO 1/4 NPT | | 1 |
| 20 | 3402036 | SCR HI/LO #10 X 1" | | 1 |
| - | - | END OF THIS SECTION | - | - |
| | | | | |
| | | | | |
| | | | | |
| | | | | |
| | | | | |
| | | | | |
| | | | | |
| | | | | |
| | | | | |
| | | | | |
| | | | | |
| | | | | |
| | | | | |
| | | | | |
| | | | | |
| | | | | |
| | | | | |



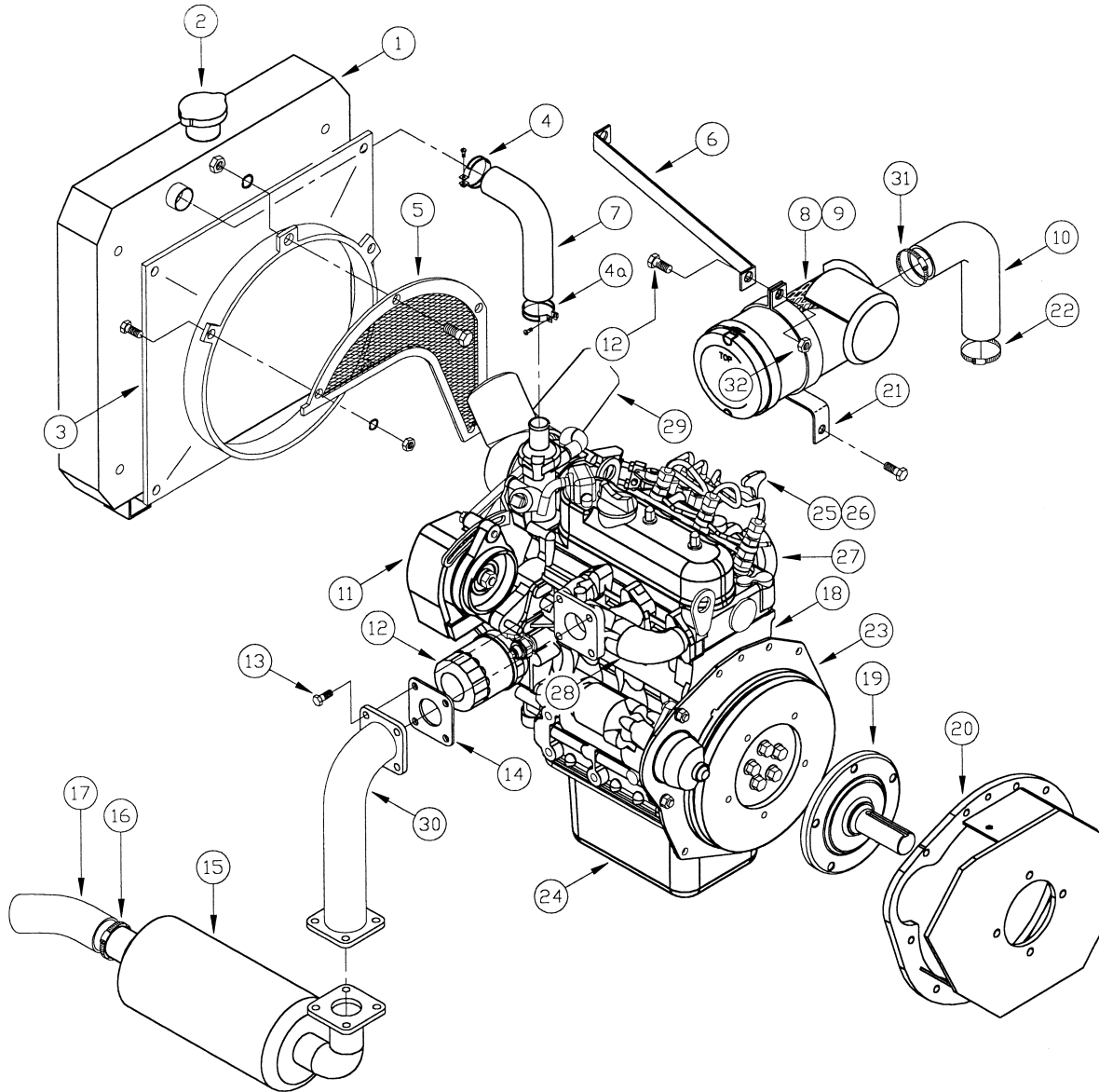
070PX001

| REF # | PART # | DESCRIPTION | REMARKS | QTY. |
|-------|---------|-----------------------------------|---------|------|
| 1 | 3026924 | CIRCUIT BREAKER-45AMP | | 1 |
| 2 | 3311993 | SWITCH-ROCKER PANEL | | 1 |
| 3 | 3315336 | HOUR METER-HOBBS 85094-12 | | 1 |
| 4 | 3318135 | SCR-BHC #10-32 X 1.00LG ALLOY | | 4 |
| 5 | 3318483 | SWITCH-DPST ROCKER | | 2 |
| 6 | 3322187 | INSERT-5/16-18 UNC | | 3 |
| 7 | 3339280 | WELDMENT-CONSOLE | | 1 |
| 8 | 3339285 | PANEL-CONSOLE INSTRUMENT | | 1 |
| 9 | 3339286 | WELDMENT-CONSOLE SUPPORT | | 1 |
| 10 | 3339319 | DECAL-SIDE DASH PBLB | | 1 |
| 11 | 3400035 | SCR-HEX,5/16-18X1.00 ZP | | 7 |
| 12 | 3400384 | WASHER-CONICAL SPRING 5/16 | | 7 |
| 13 | 742736 | SWITCH, HORN | | 1 |
| - | - | <i>END OF THIS SECTION</i> | - | - |
| | | | | |
| | | | | |
| | | | | |
| | | | | |
| | | | | |
| | | | | |
| | | | | |
| | | | | |
| | | | | |
| | | | | |
| | | | | |
| | | | | |
| | | | | |
| | | | | |
| | | | | |
| | | | | |
| | | | | |
| | | | | |
| | | | | |
| | | | | |
| | | | | |
| | | | | |
| | | | | |
| | | | | |
| | | | | |



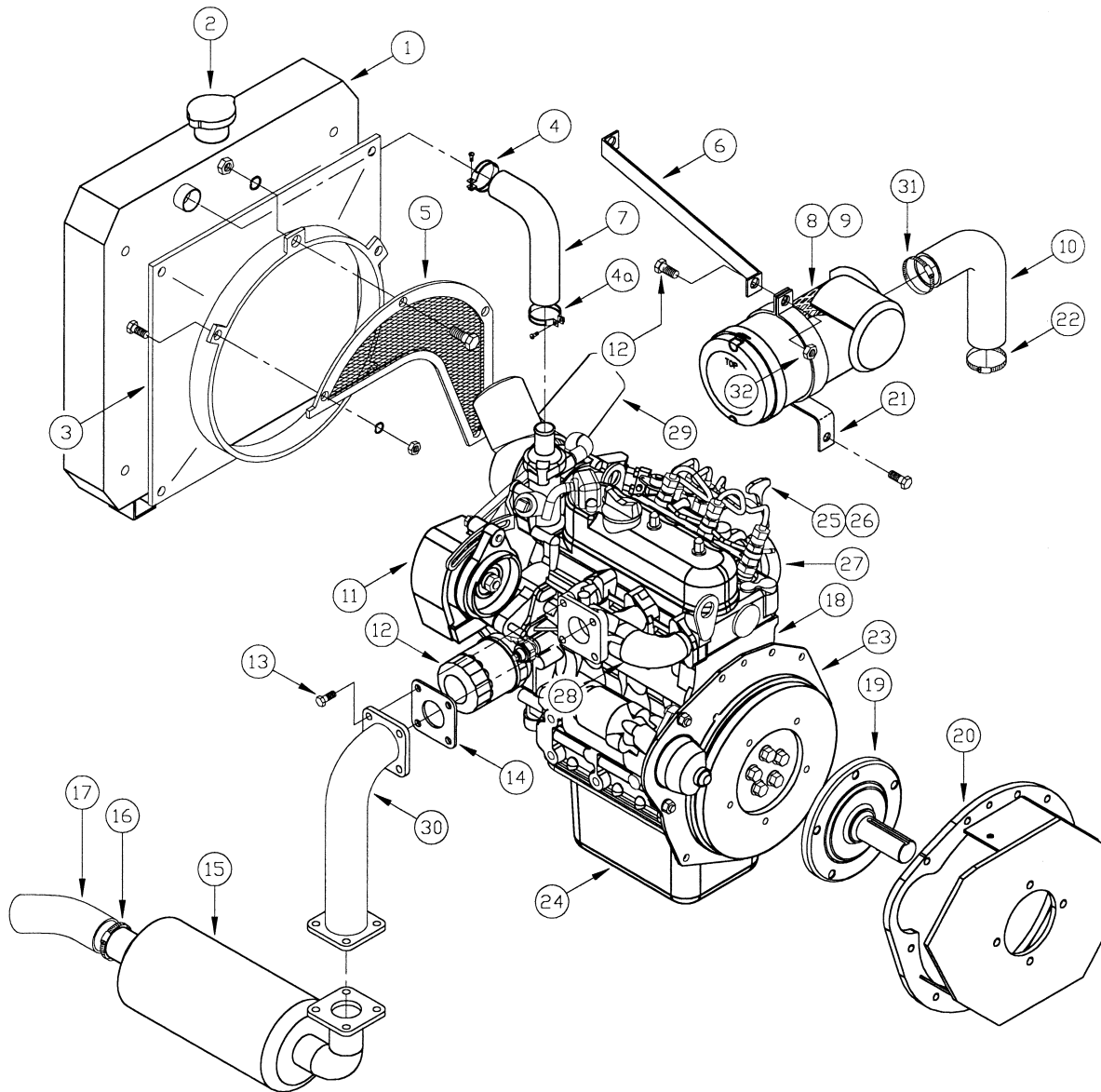
060PX001

| REF # | PART # | DESCRIPTION | REMARKS | QTY. |
|-------|----------|------------------------------|---------|------|
| 1 | 3339506 | WELDMENT-FWD/REV ARM SUND | | 1 |
| 2 | 3339142 | WELDMENT-FED/REV PEDAL | | 1 |
| 3 | 3400227 | SCR-HEX,1/4-20X1.25 ZP | | 1 |
| 4 | 3400081 | NUT-HEX 1/4-20 ES ZP | | 1 |
| 5 | 31001036 | FORK | | 2 |
| 6 | 31001036 | FORK | | 2 |
| 7 | 3400072 | NUT-HEX #10-32 ZP | | 2 |
| 8 | 3339145 | CABLE-ASSEMBLY FWD/REV | | 1 |
| 9 | 3400480 | NUT-HEX 10-24 | | 4 |
| 10 | 3400316 | SCR-SOC,10-24X0.50 ZP | | 4 |
| 11 | 3339147 | BRKT-RETAINING CONTROL CABLE | | 2 |
| 12 | 3400114 | PIN-CLEVIS 3/8 X 4.00 ZP | | 1 |
| 13 | 3400087 | WASHER-FLAT 3/8 STANDARD ZP | | 2 |
| 14 | 3300414 | BUSHING-PLASTIC MN BRM | | 2 |
| 15 | 3400125 | PIN-COTTER 3/8 RUE-RING | | 1 |
| 16 | 3339403 | DAMPER - SELF CENTERING LB | | 1 |
| 17 | 3400195 | NUT - HEX 8MM x 1.25 P | | 2 |
| 18 | 3400088 | WASHER-FLAT 5/16 STANDARD ZP | | 1 |
| - | - | <i>END OF THIS SECTION</i> | - | - |
| | | | | |
| | | | | |
| | | | | |
| | | | | |
| | | | | |
| | | | | |
| | | | | |
| | | | | |
| | | | | |
| | | | | |
| | | | | |
| | | | | |
| | | | | |
| | | | | |
| | | | | |
| | | | | |
| | | | | |
| | | | | |
| | | | | |
| | | | | |
| | | | | |
| | | | | |



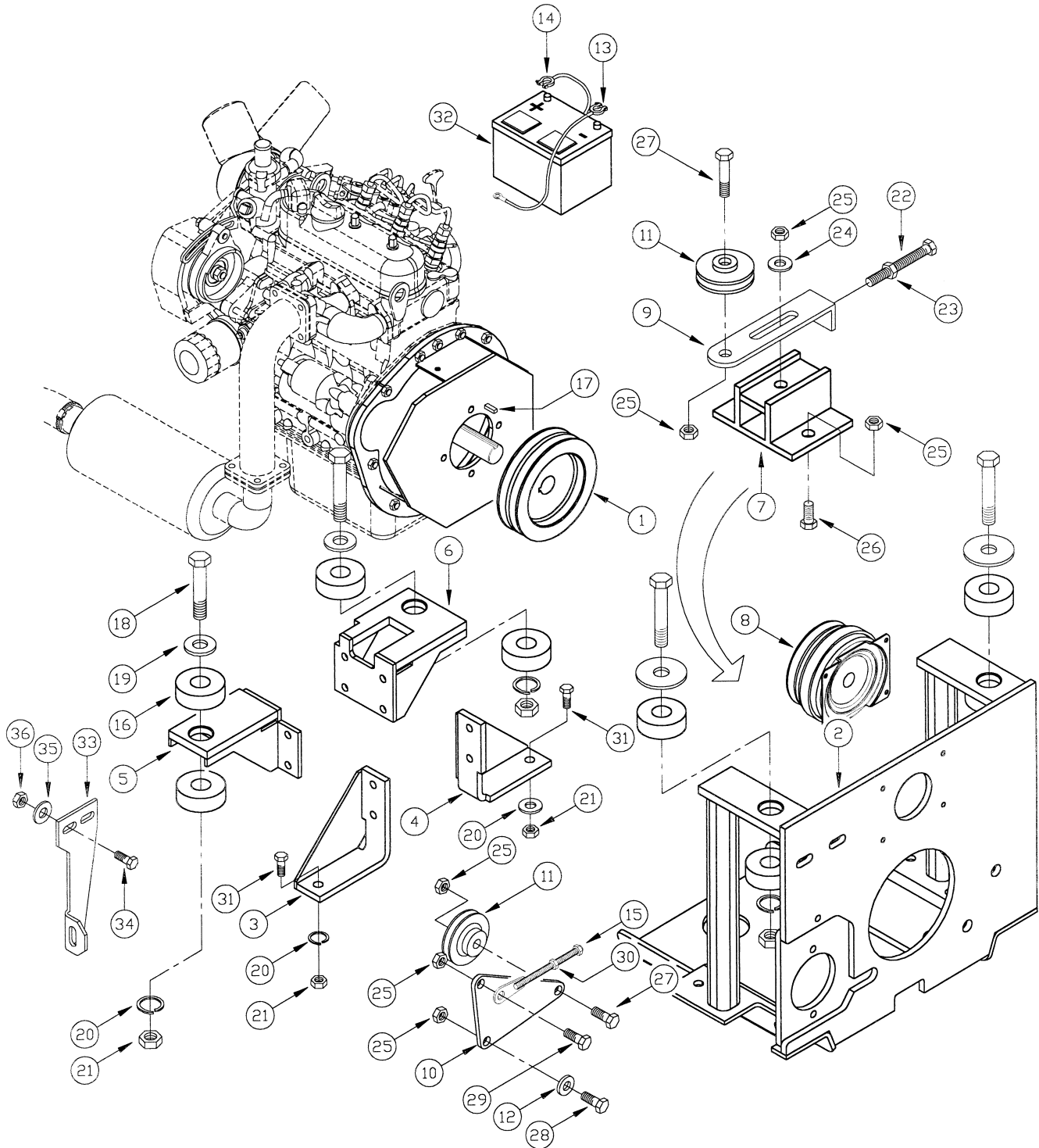
010PX001

| REF # | PART # | DESCRIPTION | REMARKS | QTY. |
|-------|---------|---------------------------------|-----------|------|
| 1 | 3316338 | RADIATOR-KUBOTA 62 DIESEL (SP) | | 1 |
| 2 | 3310005 | CAP-RADIATOR SW71 KBA GAS (SP) | | 1 |
| 3 | 3339700 | FAN SHROUD | | 1 |
| 4 | 3339701 | RADIATOR HOSE CLAMP | | 2 |
| 4a | 3339702 | RADIATOR HOSE CLAMP | | 2 |
| 5 | 3329857 | WG750-FAN GUARD | | 1 |
| 6 | 3316541 | BRACE-RADIATOR | | 1 |
| 7 | 3339704 | TOP RADIATOR HOSE | | 1 |
| 8 | 3306629 | ASSY-AIR CLNR KBA GAS (SP) | | 1 |
| 9 | 3306604 | ELEMENT-AIR CLNR KBA GAS/DSL | | 1 |
| 10 | 3339706 | AIR CLEANER HOSE | | 1 |
| 11 | 3339728 | ALTERNATOR 40 AMP | | 1 |
| 12 | 3309236 | FILTER-OIL SW71 DSL (SP) | | 1 |
| 13 | 3339729 | MUFFLER ATTACHING BOLT | | 4 |
| 14 | 3339730 | MUFFLER GASKET | | 2 |
| 15 | 3316506 | MUFFLER-KBA D722 (SP) | | 1 |
| 16 | 3316508 | CLAMP-MUFLR/TAILOPIPE KBA 62-SP | | 1 |
| 17 | 3315317 | PIPE-EXTENSION SW/62 GAS/DSL | | 1 |
| 18 | 3313019 | ENGINE-KUBOTA 0722-B DSL | | 1 |
| 19 | 3339709 | PTO STUBSHAFT | | 1 |
| 20 | 3339710 | PTO HOUSING | | 1 |
| 21 | 3312254 | MNT-AIR CLEANER SW/62 DSL PNTD | | 1 |
| 22 | 3339712 | AIR CLEANER HOSE CLAMP | | 2 |
| 23 | 3339723 | FLYWHEEL | | 1 |
| 24 | 3339718 | OIL PAN | | 1 |
| 25 | 3339719 | OIL DIPSTICK TUBE | | 1 |
| 26 | 3339720 | OIL DIPSTICK | | 1 |
| 27 | 3339721 | INTAKE MANIFOLD | | 1 |
| 28 | 3339722 | EXHAUST MANIFOLD | | 1 |
| 29 | 3322163 | FAN BLADE-D722/D750 | | 1 |
| 30 | 3339063 | WELDMENT-EXHAUST TUBE | | 1 |
| - | 3339713 | THROTTLE STOP BRACKET | Not Shown | 1 |
| - | 3313079 | SOLENOID-KEY SHUTOFF SP SW62 D | Not Shown | 1 |
| - | 3330186 | SOLENOID-THROTTLE SW/62U | Not Shown | 1 |
| - | 3330885 | RELAY-GLOWPLUG 62 | Not Shown | 1 |



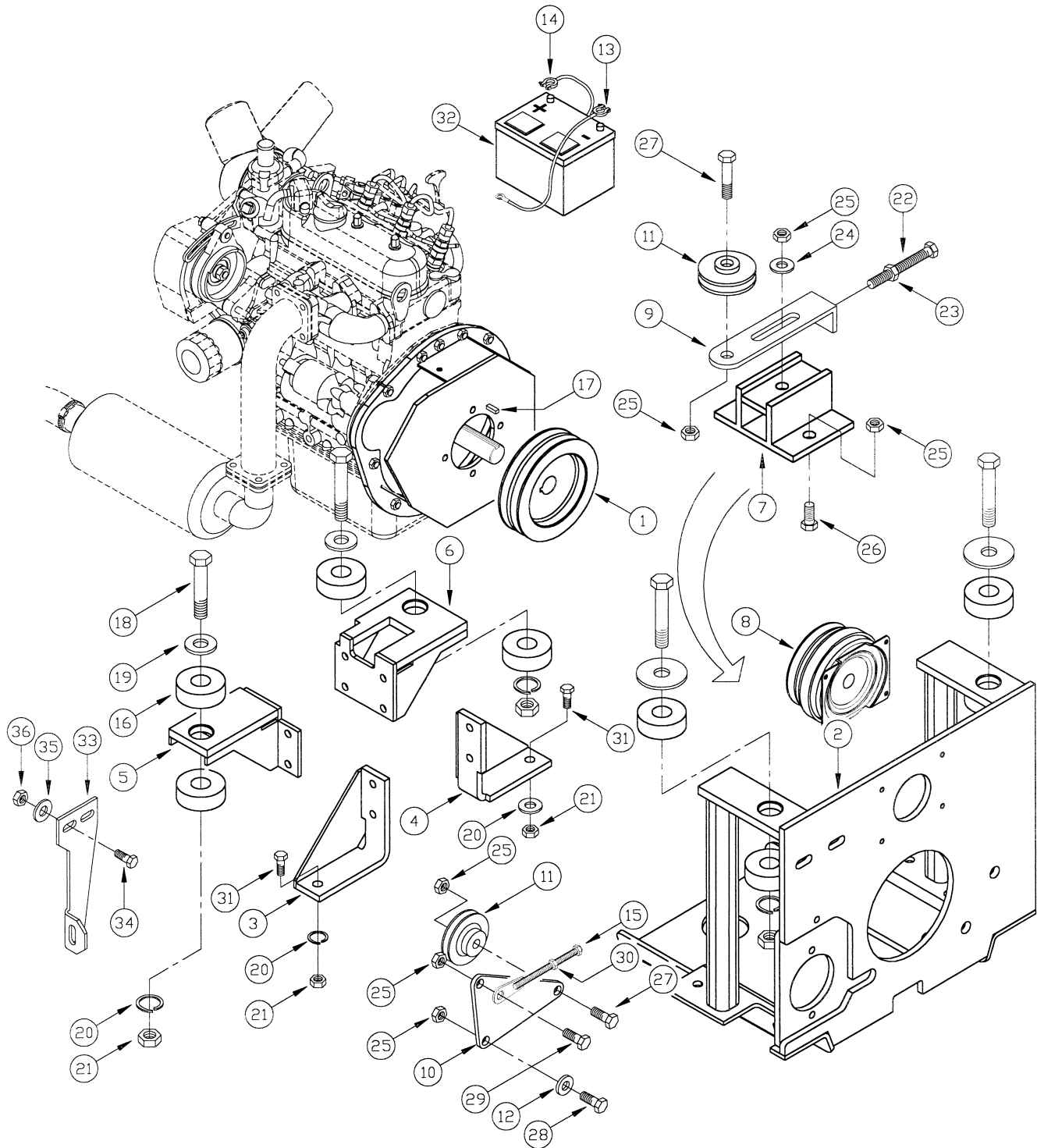
010PX001

| REF # | PART # | DESCRIPTION | REMARKS | QTY. |
|-------|---------|--------------------------------|-----------|------|
| - | 3339715 | THROTTLE SOLENOID ROD | Not Shown | 1 |
| - | 3339716 | THROTTLE ROD COUPLING | Not Shown | 1 |
| - | 3306627 | COVER-THERMOSTAT KBA GAS (SP) | Not Shown | 1 |
| - | 3300387 | SENDER-OIL PRESSURE | Not Shown | 1 |
| - | 3301441 | SENDER-TEMP NISSAN | Not Shown | 1 |
| - | 3339717 | OIL PRESSURE ELBOW | Not Shown | 1 |
| - | 3339703 | FAN DRIVE PULLEY | Not Shown | 1 |
| - | 3306624 | PULLEY-WATER PUMP KBA GAS (SP) | Not Shown | 1 |
| - | 3318756 | KUBOTA-BELT FAN | Not Shown | 1 |
| - | 3339724 | WATER FLANGE | Not Shown | 1 |
| - | 3339725 | WATER PUMP ASSEMBLY | Not Shown | 1 |
| - | 3329837 | ASSY-PUMP INJECTION D-722 | Not Shown | 1 |
| - | 3329876 | KBA-D722"E" ASSY HOLDER NOZZLE | Not Shown | 1 |
| - | 3339726 | STARTER | Not Shown | 1 |
| - | 3329846 | PLUG, GLOW | Not Shown | 4 |
| - | 3100638 | MAN-KBA 722 OPERATORS | Not Shown | 1 |
| - | 3100833 | MAN-KUBOTA 722 DSL-PRTS (62) | Not Shown | 1 |
| - | 3322161 | ASSY-D-722 RAD O/FLO RES W/CAP | Not Shown | 1 |
| - | 3306599 | THERMOSTAT-KUBOTA GAS (SP) | Not Shown | 1 |
| - | 3339727 | OIL DRAIN PLUG | Not Shown | 1 |
| - | 3324176 | BEARING-CONNECTING ROD D722 | Not Shown | 3 |
| - | 3324178 | BEARING-CON ROD .008(20MM)D722 | Not Shown | 3 |
| - | 3324179 | CONNECTING ROD-D722 | Not Shown | 3 |
| - | 3324181 | GASKET SET-LOWER D722 | Not Shown | 1 |
| - | 3324180 | GASKET SET-UPPER D722 | Not Shown | 1 |
| - | 3324174 | PISTON-.010 (25MM) O/S D722 | Not Shown | 3 |
| - | 3324175 | RINGS-SET .010(25MM) O/S D722 | Not Shown | 3 |
| - | 3339065 | BRKT-MUFFLER SUPPORT | Not Shown | 1 |
| - | - | END OF THIS SECTION | - | - |
| | | | | |
| | | | | |
| | | | | |
| | | | | |
| | | | | |
| | | | | |



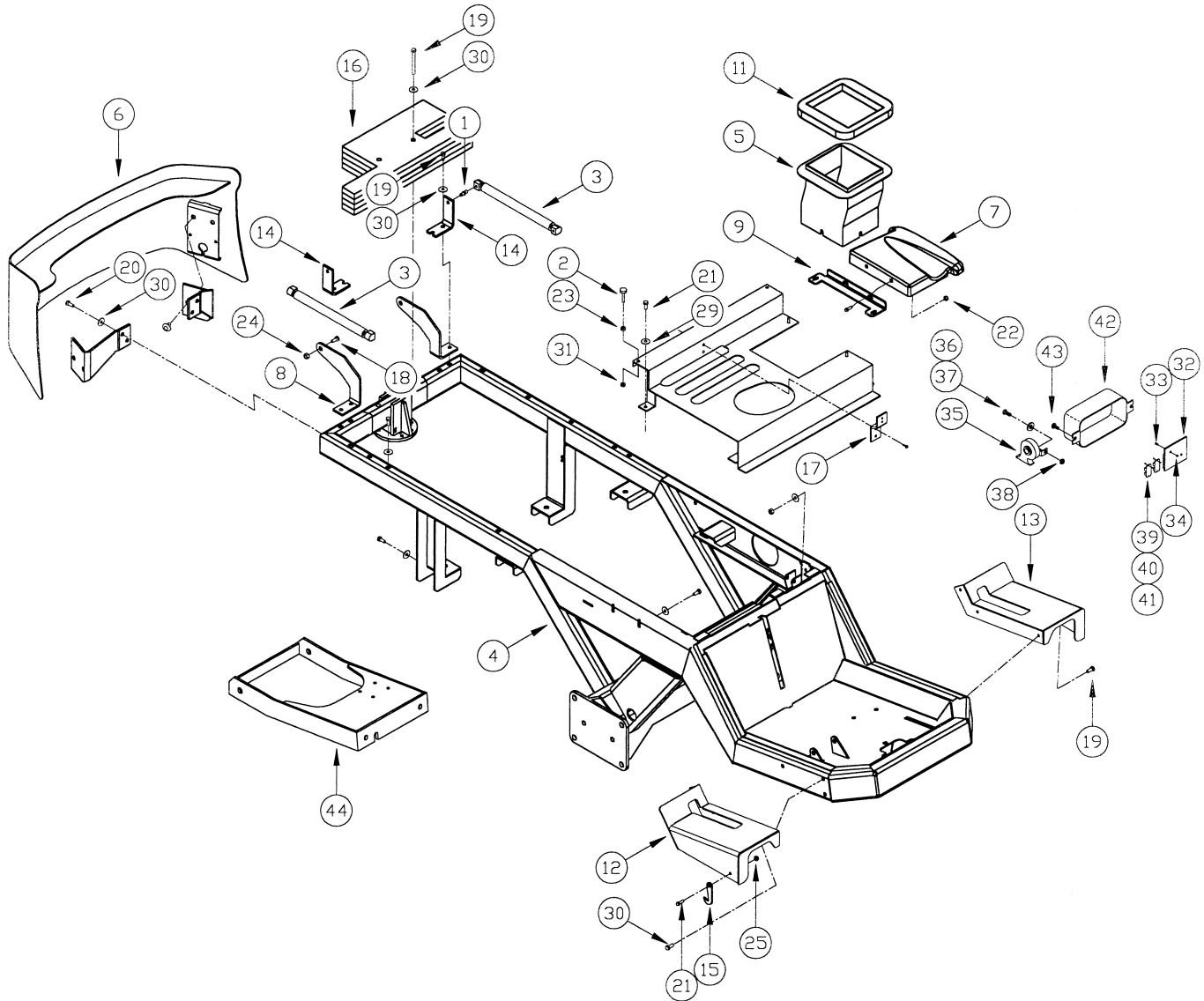
010PX002

| REF # | PART # | DESCRIPTION | REMARKS | QTY. |
|-------|---------|--------------------------------|-----------|------|
| 1 | 3339400 | PULLLEY- TWO GROOVE | | 1 |
| 2 | 3339030 | WELDMENT-PWRTRAIN ASSY MNT | | 1 |
| 3 | 3339041 | WELDMENT-ENGINE SUPPORT LH | | 1 |
| 4 | 3339040 | WELDMENT-ENGINE SUPPORT RH | | 1 |
| 5 | 3339044 | WELDMENT-ENGINE MOUNT RH | | 1 |
| 6 | 3339045 | WELDMENT- ENGINE MOUNT LH | | 1 |
| 7 | 3339053 | WLEDMENT-BELT TENSIONER MOUNT | | 1 |
| 8 | 3339347 | CLUTCH- VAC ELEC PBLB | | 1 |
| 9 | 3339058 | WELDMENT-BELT TENSIONER | | 1 |
| 10 | 3339038 | ARM-TENSIONER PUMP DRIVE | | 1 |
| 11 | 3322416 | IDLER-MB REV W/INT BRGS V/SW | | 2 |
| 12 | 3339039 | SPACER-TENSIONER ARM | | 1 |
| 13 | 3339440 | CABLE-NEGATIVE BATTERY PBLB | | 1 |
| 14 | 3339439 | CABLE-POSITIVE BATTERY PBLB | | 1 |
| 15 | 3300846 | WELD-LINK SQ ADJ PLTD | | 1 |
| 16 | 3339714 | ISOLATION MOUNTS | | 4 |
| | 3330479 | MNT-COOLANT TANK SW/64A | Not Shown | 1 |
| | 3339060 | WELDMENT-THROTTLE CONTROL UNIT | Not Shown | 1 |
| | 3339348 | PULLEY-PUMP DRIVE | Not Shown | 1 |
| | 3339051 | BELT-V PUMP DRV (5L X 34.0) | Not Shown | 1 |
| | 3339052 | BELT-V IMP DRIVE (4H X 31.0) | Not Shown | 1 |
| | 3402029 | KEYSTOCK-4MM X 4MM X .75 LONG | Not Shown | 1 |
| 17 | 3402043 | KEY-1/4 X 1/4 X 1.25 | | 1 |
| | 3339331 | PUMP-MAIN/AUX PBLB | Not Shown | 1 |
| 18 | 3400405 | SCR-HEX,1/2-13X3.00 ZP | | 4 |
| 19 | 3400382 | WASHER-FENDER .531ID-1.62OD- | | 4 |
| 20 | 3400098 | WASHER-LOCK 1/2 SPLIT ZP | | 4 |
| 21 | 3400065 | NUT-HEX 1/2-13 ZP | | 4 |
| 22 | 3400473 | SCR-HEX,3/8-16X3.00 ZP F'THD | | 1 |
| 23 | 3400068 | NUT-HEX 3/8-16 ZP | | 1 |
| 24 | 3400087 | WASHER-FLAT 3/8 STANDARD ZP | | 1 |
| 25 | 3400079 | NUT-HEX 3/8-16 ES ZP | | 7 |
| 26 | 3400029 | SCR-HEX,3/8-16X1.25 ZP | | 2 |
| 27 | 3400027 | SCR-HEX,3/8-16X1.75 ZP | | 3 |
| 28 | 3400434 | SCR-HEX,3/8-16X2.50 ZP | | 1 |

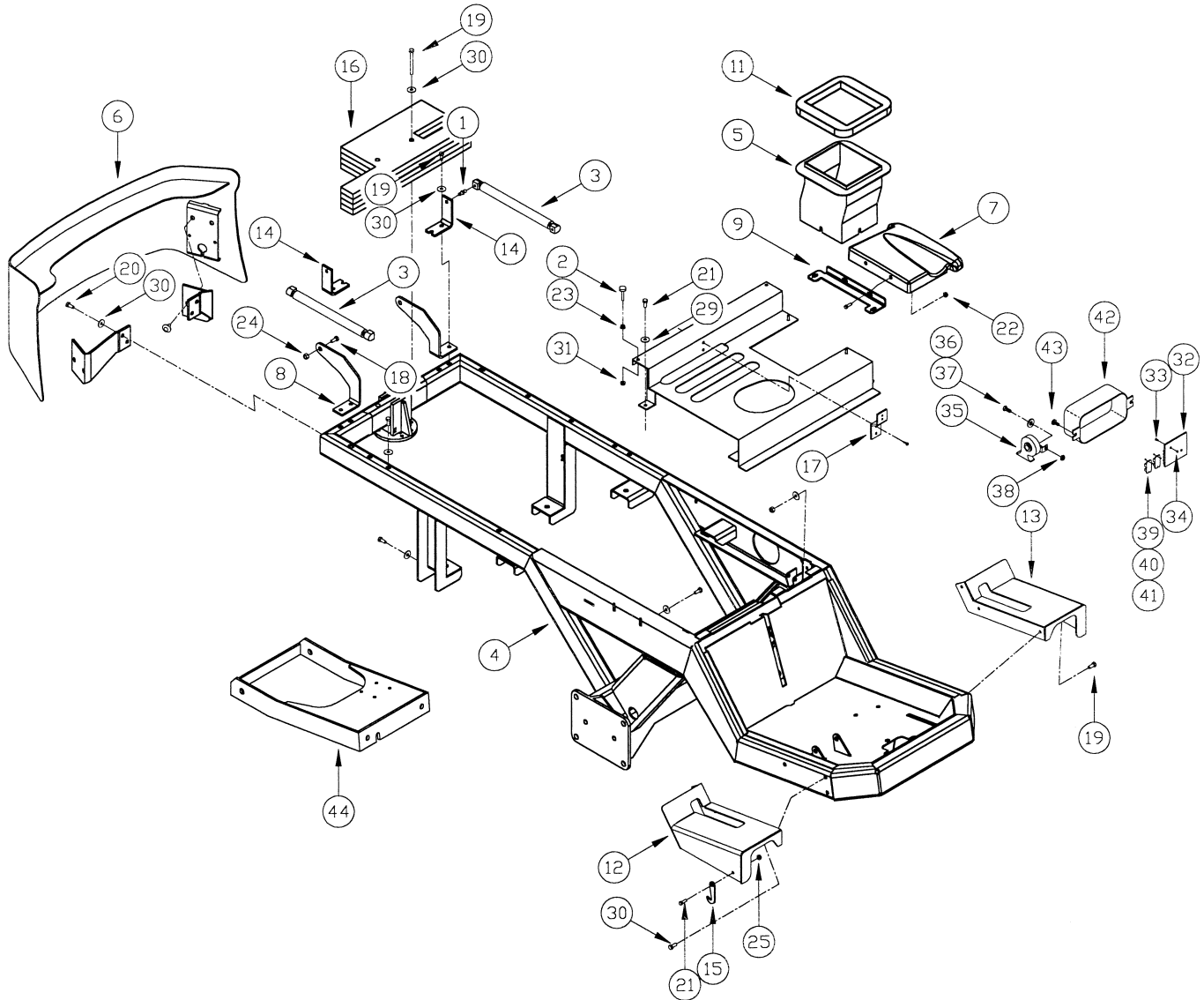


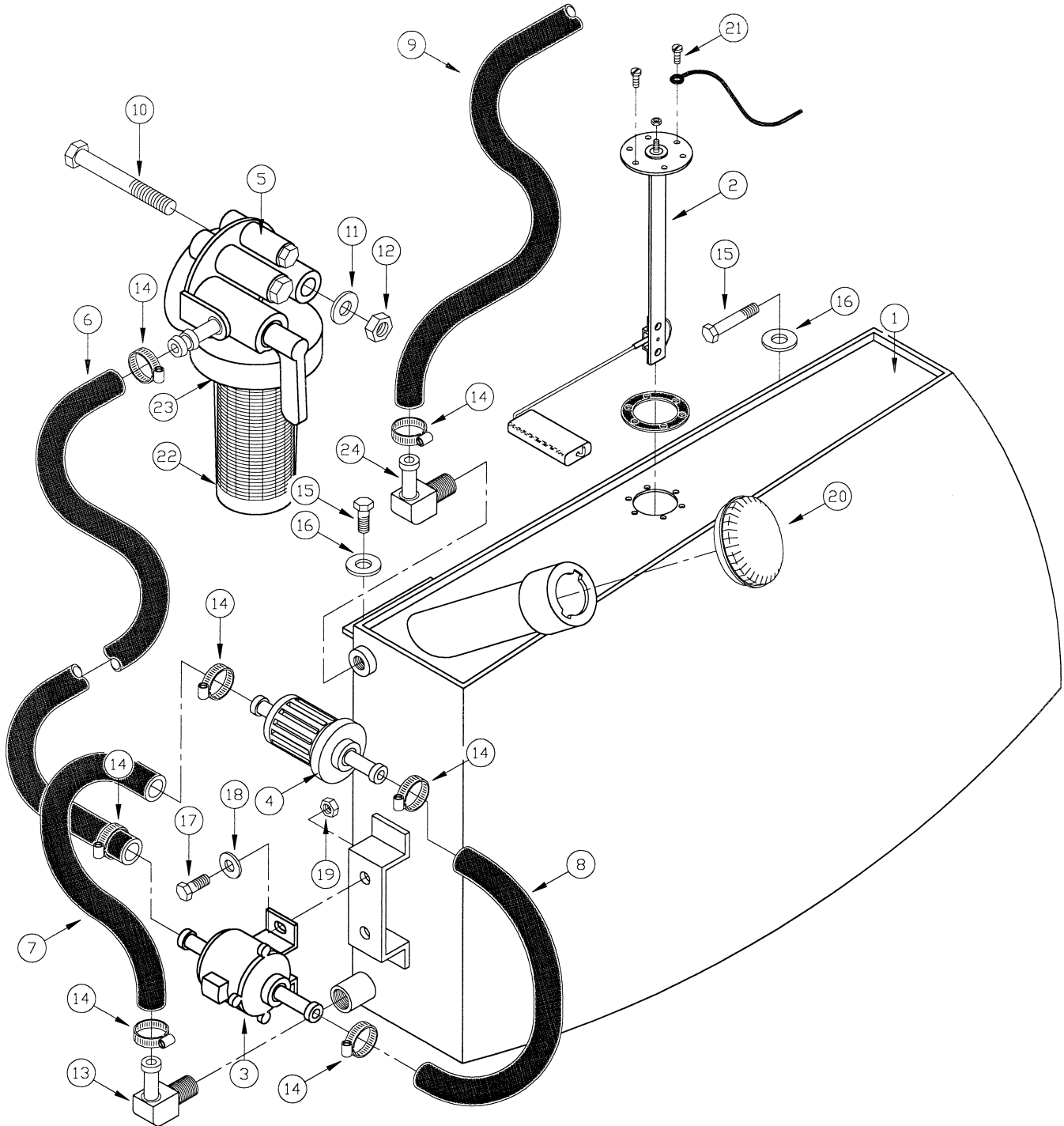
010PX002

| REF # | PART # | DESCRIPTION | REMARKS | QTY. |
|-------|---------|----------------------------|---------|------|
| 29 | 3400030 | SCR-HEX,3/8-16X1.00 ZP | | 1 |
| 30 | 3400069 | NUT-HEX 5/16-24 ZP | | 2 |
| 31 | 3400022 | SCR-HEX,1/2-13X1.25 ZP | | 2 |
| 32 | 3339406 | BATTERY-726A LITTERBOSS | | 1 |
| 33 | 3339065 | BRKT-MUFFLER SUPPORT | | 1 |
| 34 | 3400036 | SCR-HEX,5/16-18X0.75 ZP | | 2 |
| 35 | 3400384 | WASHER-CONICAL SPRING | | 2 |
| 36 | 3400390 | NUT-FLANGE LOCK 5/16-18 | | 2 |
| - | - | <i>END OF THIS SECTION</i> | - | - |
| | | | | |
| | | | | |
| | | | | |
| | | | | |
| | | | | |
| | | | | |
| | | | | |
| | | | | |
| | | | | |
| | | | | |
| | | | | |
| | | | | |
| | | | | |
| | | | | |
| | | | | |
| | | | | |
| | | | | |
| | | | | |
| | | | | |
| | | | | |
| | | | | |
| | | | | |
| | | | | |



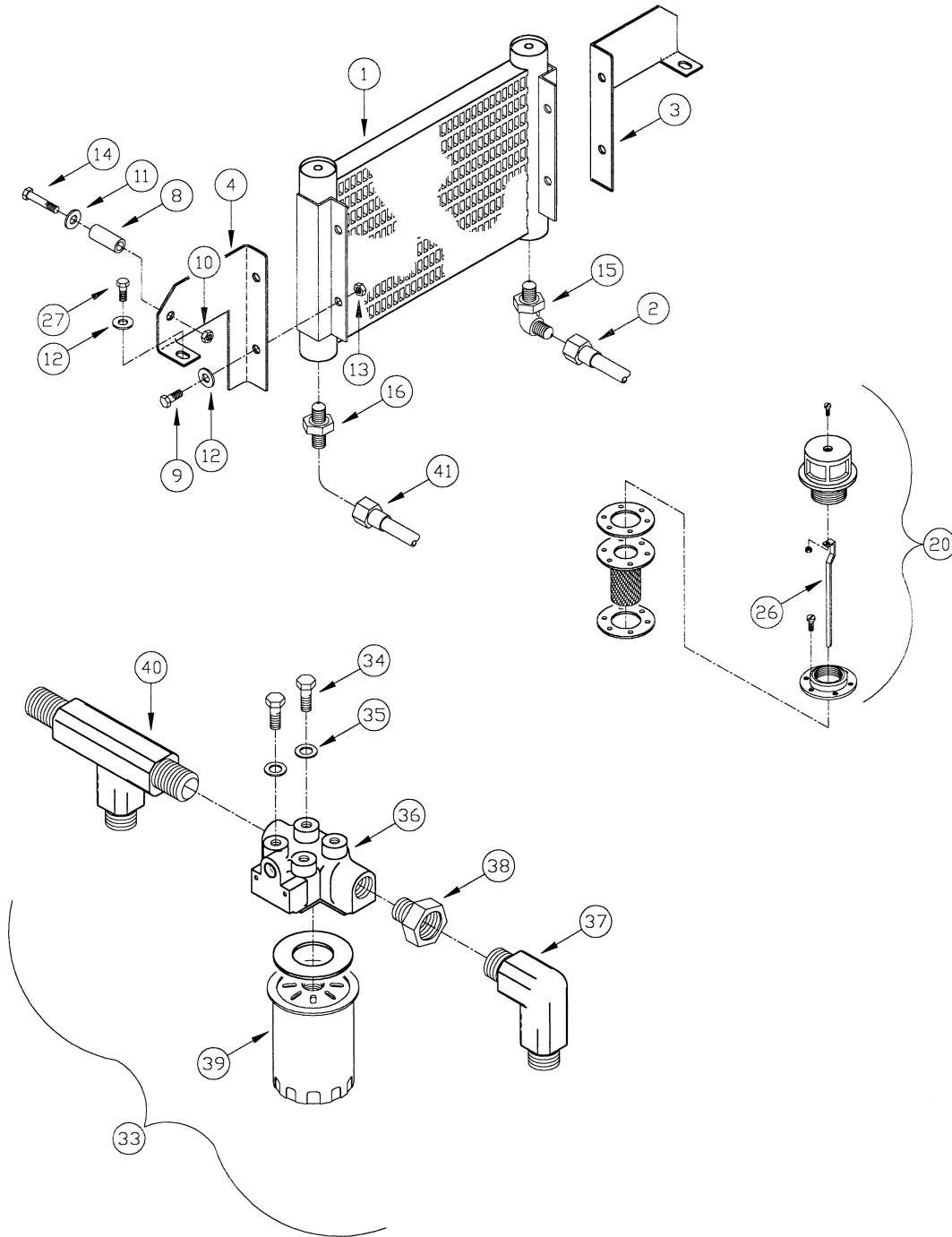
| REF # | PART # | DESCRIPTION | REMARKS | QTY. |
|-------|---------|------------------------------|---------|------|
| 1 | 3300376 | STUD-BALL GAS SPRING | | 1 |
| 2 | 3307639 | LEVELER-5/16-18 SW/A | | 1 |
| 3 | 3308767 | SPRING-ENGINE COVER 9XN GAS | | 2 |
| 4 | 3339200 | WELDMENT-FRAME LITTERBOSS | | 1 |
| 5 | 3339274 | WELDMENT-TRANSION BOX | | 1 |
| 6 | 3339275 | WELDMENT-REAR BUMPER | | 1 |
| 7 | 3339309 | BATTERY COVER | | 1 |
| 8 | 3339420 | BRKT2-TANK MNT | | 1 |
| 9 | 3339426 | BRKT-BATTERY COVER | | 1 |
| 10 | 3339427 | BRKT-TANK MOUNT LH | | 2 |
| 11 | 3339431 | GASKET-TRANSITION BOX | | 1 |
| 12 | 3339446 | WELDMENT-SIDE STEP RH | | 1 |
| 13 | 3339447 | WELDMENT-SIDE STEP LH | | 1 |
| 14 | 3339469 | BRKT-GAS SPRING MOUNT | | 2 |
| 15 | 3339554 | PLATE-BROOM LATCH | | 1 |
| 16 | 3339558 | WELDMENT-COUNTERWEIGHT | | 1 |
| 17 | 3339845 | CLIP | | 1 |
| 18 | 3400022 | SCR-HEX,1/2-13X1.25 ZP | | 1 |
| 19 | 3400029 | SCR-HEX,3/8-16X1.25 ZP | | 3 |
| 20 | 3400030 | SCR-HEX,3/8-16X1.00 ZP | | 1 |
| 21 | 3400035 | SCR-HEX,5/16-18X1.00 ZP | | 2 |
| 22 | 3400063 | NUT-FLANGE LOCK 1/4-20 ZP | | 1 |
| 23 | 3400070 | NUT-HEX 5/16-18 ZP | | 1 |
| 24 | 3400078 | NUT-HEX 1/2-13 ES ZP | | 1 |
| 25 | 3400080 | NUT-HEX 5/16-18 ES ZP | | 1 |
| 26 | 3400085 | NUT-WING 1/4-20 ZP | | 1 |
| 27 | 3400086 | WASHER-FLAT 1/2 STANDARD ZP | | 1 |
| 28 | 3400089 | WASHER-FLAT 1/4 STANDARD ZP | | 1 |
| 29 | 3400384 | WASHER-CONICAL SPRING 5/16 | | 1 |
| 30 | 3400385 | WASHER-CONICAL SPRING 3/8 | | 4 |
| 31 | 3400390 | NUT-FLANGE LOCK 5/16-18 | | 2 |
| 32 | 3322599 | FUSE BLOCK-ATO FUSE | | 1 |
| 33 | 3400050 | SCR-SOC,#10-24X1.25 ZP | | 2 |
| 34 | 3400399 | NUT-HEX NYLON LOCK #10-24 SS | | 2 |
| 35 | 3300379 | HORN | | 1 |



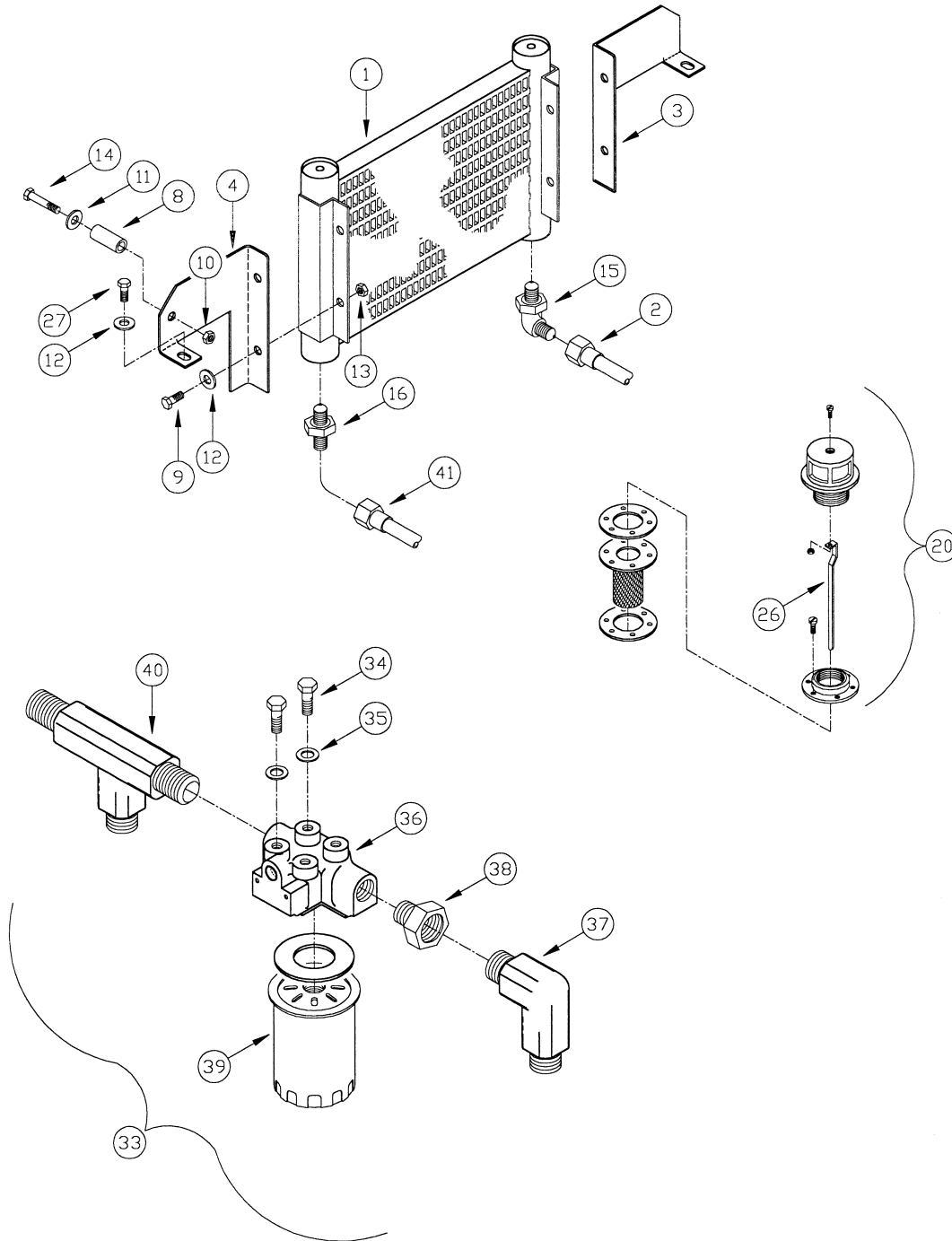


140PX001

| REF # | PART # | DESCRIPTION | REMARKS | QTY. |
|-------|---------|-----------------------------------|---------|------|
| 1 | 3339368 | WELDMENT-FUEL TANK | | 1 |
| 2 | 3339312 | SENDER- FUEL 12V | | 1 |
| 3 | 3309239 | FUEL PUMP-ELEC SW71 DSL (SP) | | 1 |
| 4 | 3306606 | FILTER-FUEL KUBOTA GAS (SP) | | 1 |
| 5 | 3339707 | FUEL FILTER ASSEMBLY | | 1 |
| 6 | 3339636 | 12" HOSE—5/16 ID X 12 | | 1 |
| 7 | 3339637 | 9" HOSE—5/16 ID X 9 | | 1 |
| 8 | 3339638 | 7" HOSE—5/16 ID X 7 | | 1 |
| 9 | 3339639 | 16" HOSE—1/8 ID x 16 | | 1 |
| 10 | 3400466 | SCR-HEX,5/16-18X2.50 GR 5 | | 1 |
| 11 | 3400102 | WASHER-LOCK 5/16 SPLIT ZP | | 1 |
| 12 | 3400070 | NUT-HEX 5/16-18 ZP | | 1 |
| 13 | 3400793 | FTG-90 DEG 3/8 BARB TO 1/4 NPT | | 1 |
| 14 | 3302338 | CLAMP-HOSE .22 TO .62 | | 8 |
| 15 | 3400035 | SCR-HEX,5/16-18X1.00 ZP | | 4 |
| 16 | 3400384 | WASHER-CONICAL SPRING 5/16 | | 4 |
| 17 | 3400042 | SCR-HEX,1/4-20X0.75 ZP | | 2 |
| 18 | 3400089 | WASHER-FLAT 1/4 STANDARD ZP | | 2 |
| 19 | 3400081 | NUT-HEX 1/4-20 ES ZP | | 2 |
| 20 | 3307807 | CAP-GAS TANK | | 1 |
| 21 | 3400044 | SCR-HEX,#10-32X0.75 ZP | | 6 |
| 22 | 3309249 | FILTER-FUEL SW71 DSL (SP) | | 1 |
| 23 | 3339708 | FUEL FILTER O-RING (NOT SHOWN) | | 1 |
| 24 | 3402022 | FTG-90 1/4 MPT X 1/4 HOSE BARB | | 1 |
| - | - | <i>END OF THIS SECTION</i> | - | - |
| | | | | |
| | | | | |
| | | | | |
| | | | | |
| | | | | |
| | | | | |
| | | | | |
| | | | | |
| | | | | |
| | | | | |
| | | | | |
| | | | | |
| | | | | |
| | | | | |
| | | | | |
| | | | | |
| | | | | |
| | | | | |



| REF # | PART # | DESCRIPTION | REMARKS | QTY. |
|-------|---------|-------------------------------|-----------|------|
| 1 | 3306740 | COOLER-OIL HYD IMPELLER | | 1 |
| 2 | 3339477 | HOSE-.75AR 22.00 ST#12 ST#12 | | 1 |
| 3 | 3339567 | MOUNT-OIL COOLER RH | | 1 |
| 4 | 3339568 | MOUNT-OIL COOLER LH | | 1 |
| - | 3339569 | PLATE-AIR RH LITTERBOSS | Not Shown | 1 |
| - | 3339570 | PLATE-AIR LH LITTERBOSS | Not Shown | 1 |
| - | 3339571 | PLATE-AIR LOWER LITTERBOSS | Not Shown | 1 |
| 8 | 3339579 | SPACER-TUBE .313IDX.75ODX1.62 | | 2 |
| 9 | 3400036 | SCR-HEX,5/16-18X0.75 ZP | | 4 |
| 10 | 3400063 | NUT-FLANGE LOCK 1/4-20 ZP | | 2 |
| 11 | 3400383 | WASHER-CONICAL SPRING 1/4 | | 2 |
| 12 | 3400384 | WASHER-CONICAL SPRING 5/16 | | 6 |
| 13 | 3400390 | NUT-FLANGE LOCK 5/16-18 | | 4 |
| 14 | 3400433 | SCR-HEX,1/4-20X2.50 ZP | | 2 |
| 15 | 3402039 | FTG-90 #12 JIC X 1/2" MPT | | 1 |
| 16 | 3402040 | FTG-STR #12 JIC X 1/2" MPT | | 1 |
| - | 3500118 | EDGING-VINYL TRIM 1/8" X 250' | Not Shown | 14 |
| - | 712822 | SCR-THMS 10-24X.50 SS | Not Shown | 3 |
| - | 712908 | NUT-FLANGED WIZZ 10-24 | Not Shown | 3 |
| 20 | 3305576 | ASSY-FILTER/BREATHER FLOW EZY | | 1 |
| - | 3307573 | STRAINER-HYDRAULIC TM-15 | Not Shown | 1 |
| - | 3339370 | WELDMENT-HYD RES | Not Shown | 1 |
| - | 3339404 | WELDMENT-BUMPER MNT LT SIDE | Not Shown | 1 |
| - | 3339405 | WELDMENT-BUMPER MNT RT SIDE | Not Shown | 1 |
| - | 3339516 | DIFFUSER-HYD LITTERBOSS | Not Shown | 1 |
| 26 | 3339626 | DIPSTICK-HYD LITTERBOSS | | 1 |
| 27 | 3400035 | SCR-HEX,5/16-18X1.00 ZP | | 2 |
| 28 | 3400080 | NUT-HEX 5/16-18 ES ZP | | 4 |
| - | 3400088 | WASHER-FLAT 5/16 STANDARD ZP | Not Shown | 4 |
| - | 3400356 | FTG-PIPE PLUG 3/4 NPT SQ HEAD | Not Shown | 1 |
| - | 3402025 | FTG-90 3/4 MPT TO #12 JIC | Not Shown | 1 |
| - | 3402038 | FTG-90 #12 JIC X 1" MPT | Not Shown | 1 |
| 33 | 3339027 | SUB-ASSY HYD FILTER PBLB | | 1 |
| 34 | 3400042 | SCR-HEX,1/4-20X0.75 ZP | | 2 |
| 35 | 3400383 | WASHER-CONICAL SPRING 1/4 | | 2 |



080PX001

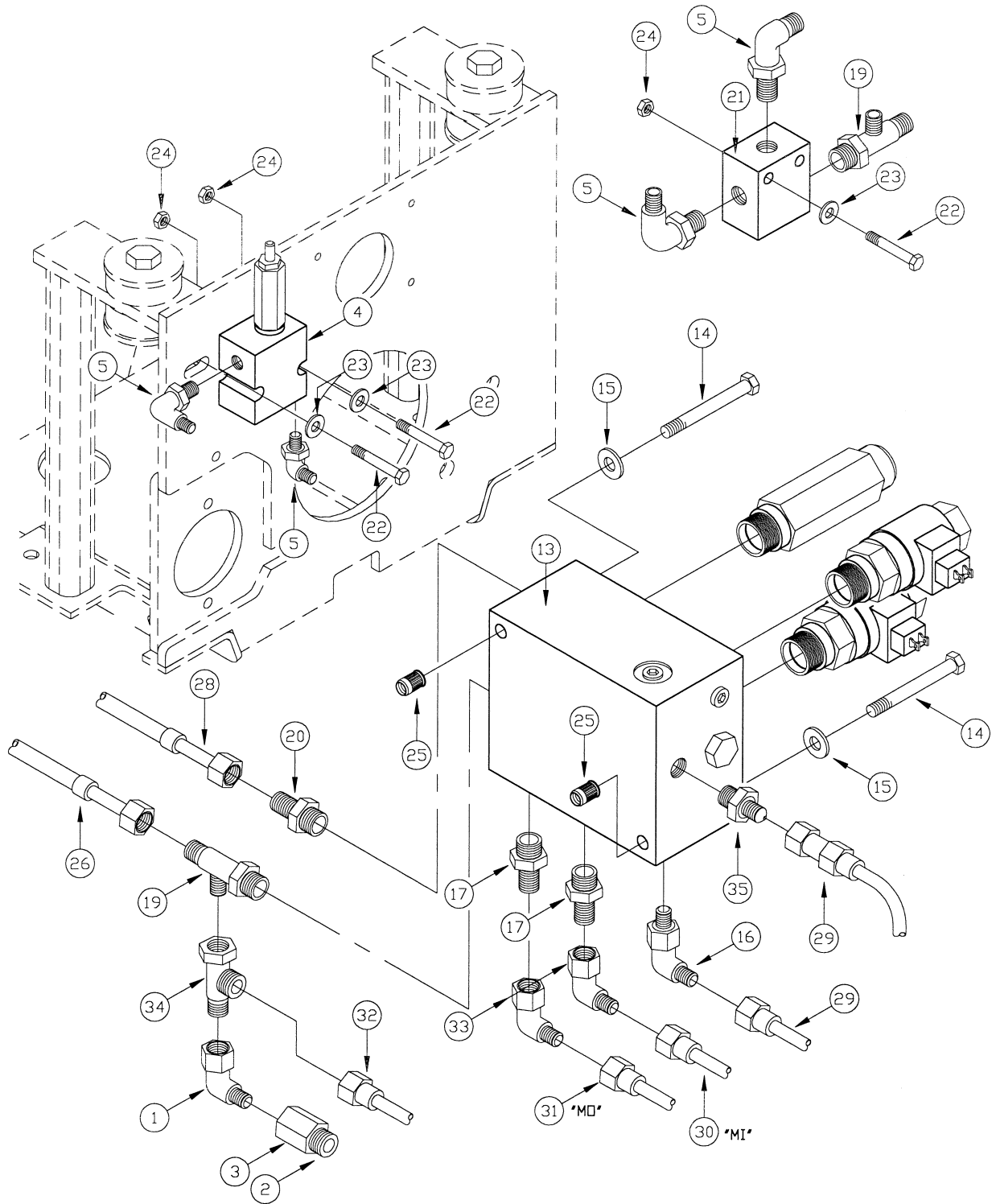


Hydraulic Group - System (Continued)

Parts

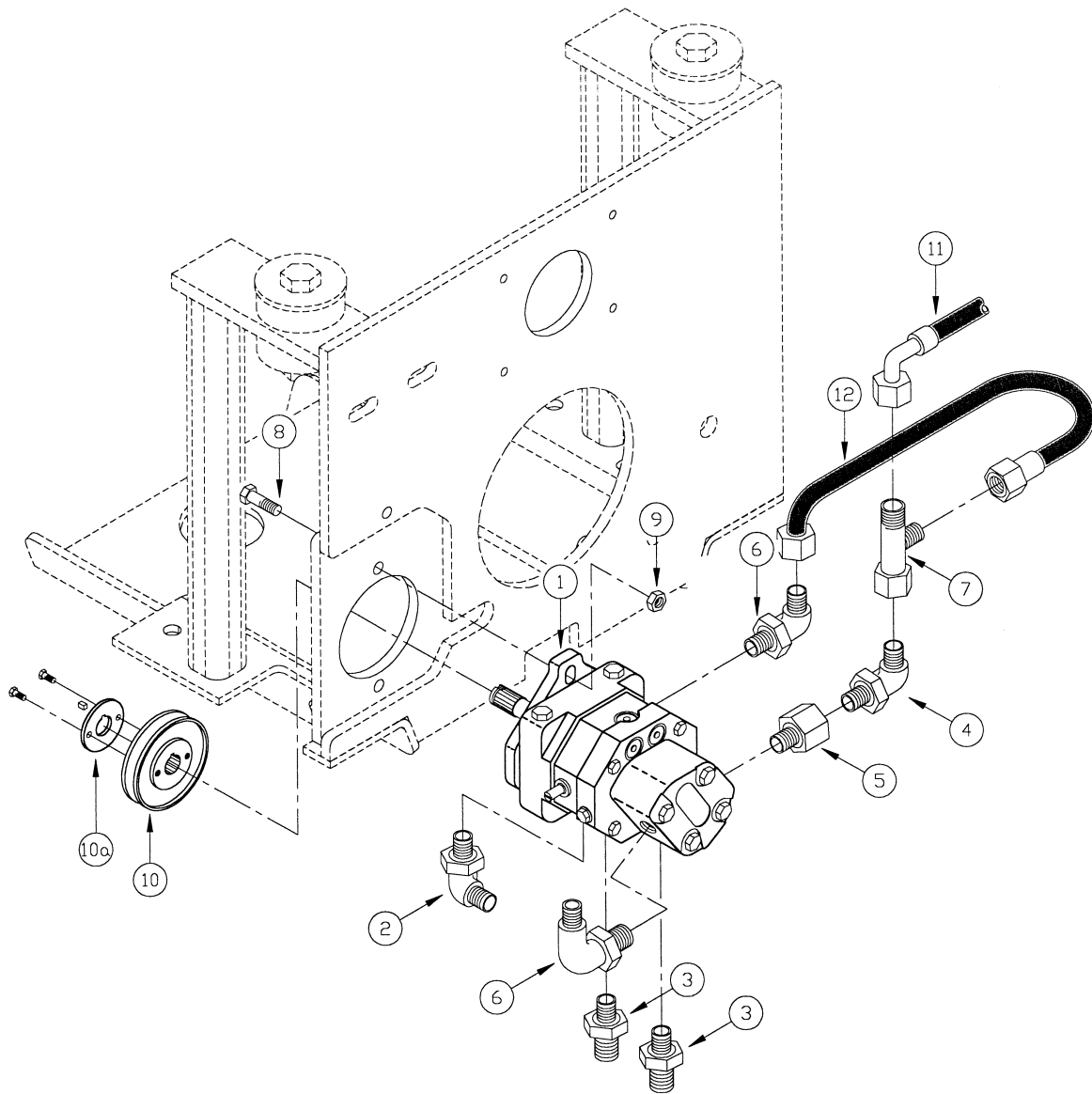
080PX001

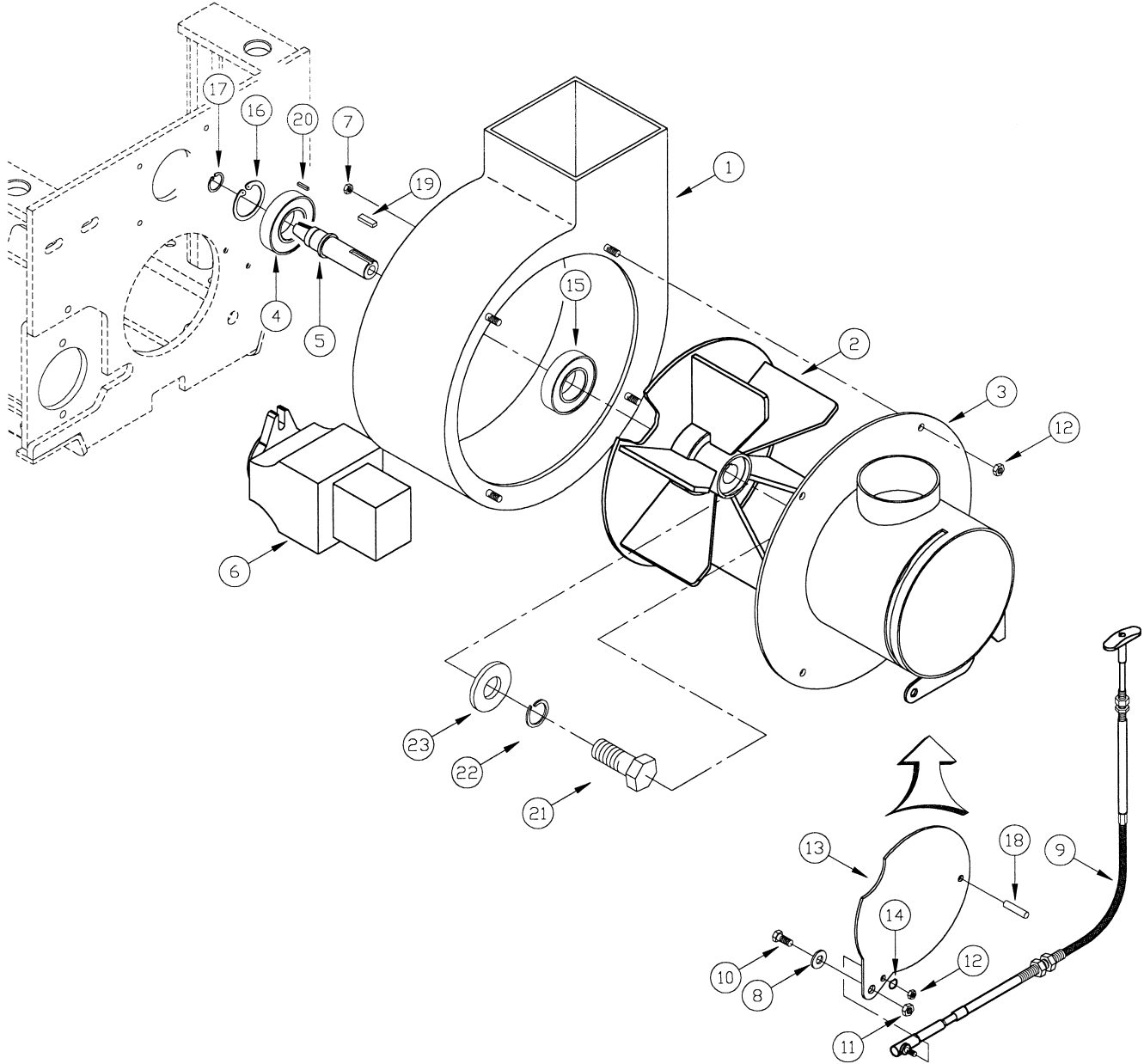
| REF # | PART # | DESCRIPTION | REMARKS | QTY. |
|-------|---------|-------------------------------|---------|------|
| 36 | 3339334 | ASSY- HYD FILTER PBLB | | 1 |
| 37 | 3400154 | FTG-90 3/4-16 TO #8 | | 1 |
| 38 | 3400167 | FTG-ADAPTER 1 1/6-12 EXT TO | | 1 |
| 39 | 3339342 | FILTER- HYD PBLB | | 1 |
| 40 | 3400632 | FTG-ADAPTER RUN TEE 1-1/16-12 | | 1 |
| 41 | 3339476 | HOSE-.75AR 59.00 ST#12 ST#12 | | 1 |
| - | - | <i>END OF THIS SECTION</i> | - | - |
| | | | | |
| | | | | |
| | | | | |
| | | | | |
| | | | | |
| | | | | |
| | | | | |
| | | | | |
| | | | | |
| | | | | |
| | | | | |
| | | | | |
| | | | | |
| | | | | |
| | | | | |
| | | | | |
| | | | | |
| | | | | |
| | | | | |
| | | | | |
| | | | | |
| | | | | |
| | | | | |
| | | | | |
| | | | | |
| | | | | |
| | | | | |
| | | | | |



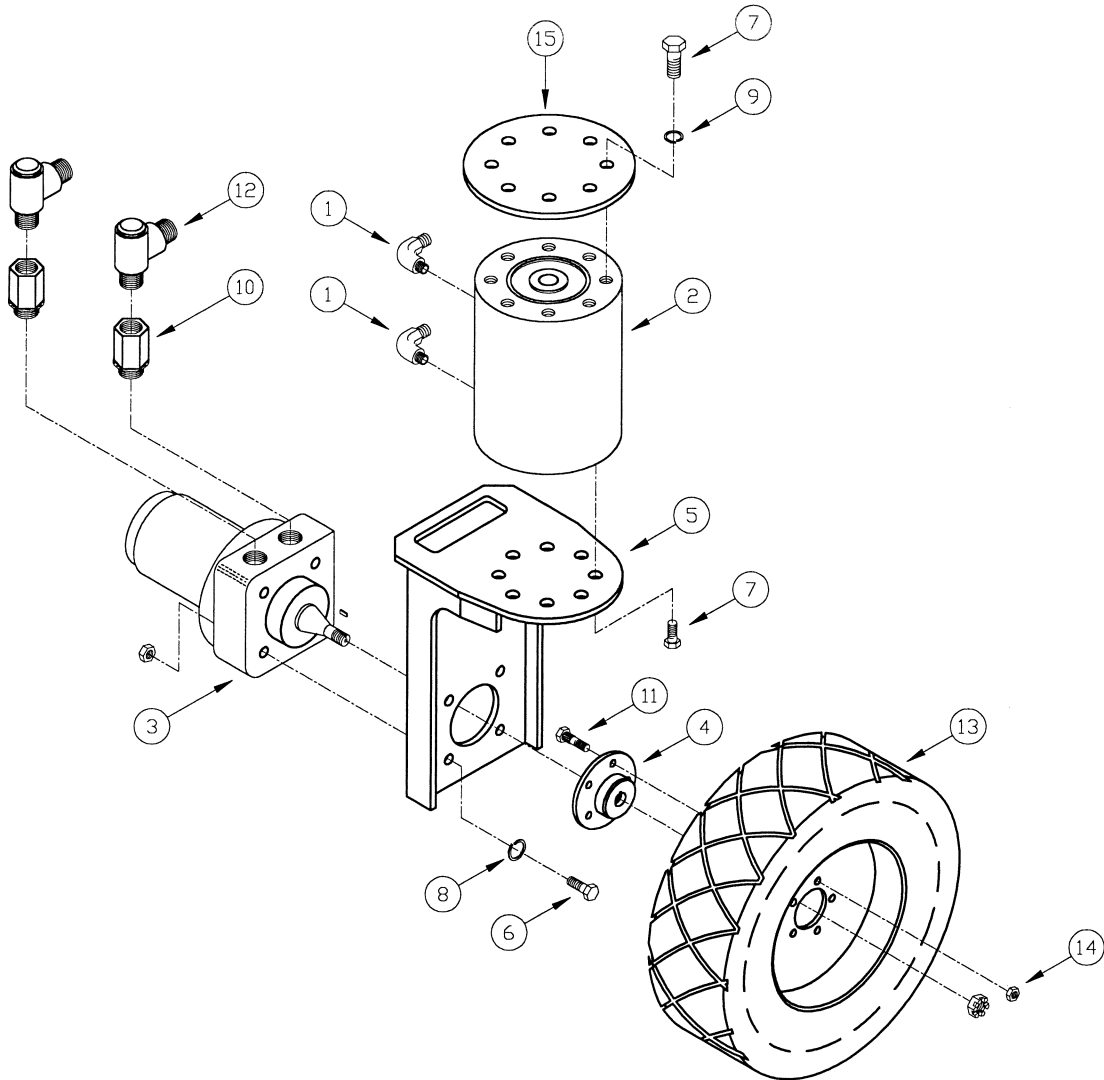
080PX002

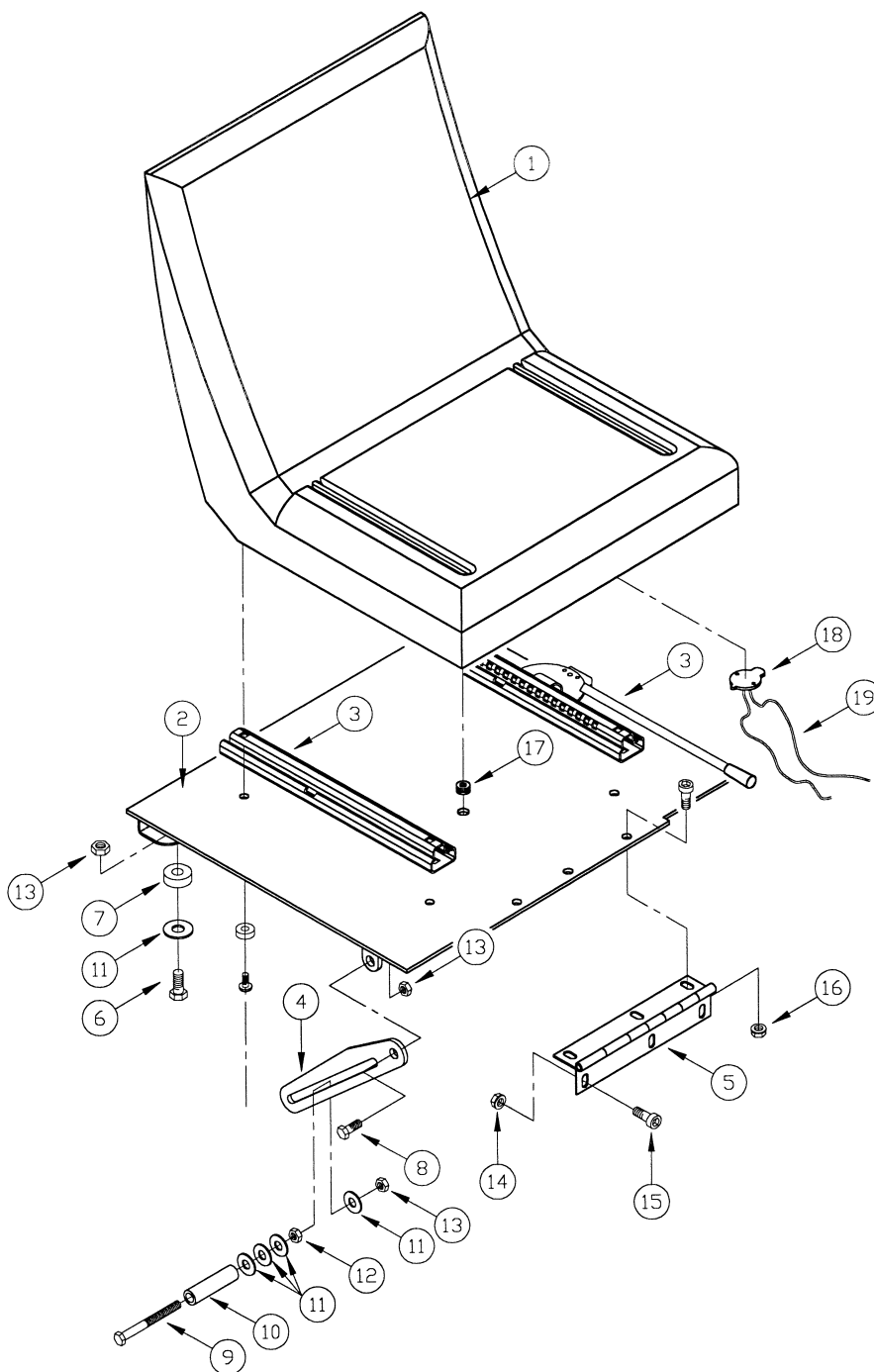
| REF # | PART # | DESCRIPTION | REMARKS | QTY. |
|-------|---------|--------------------------------|---------|------|
| 1 | 3400244 | FTG-SWIVEL 90 EL #8 JIC | | 1 |
| 2 | 3302408 | FTG-REDUCER TUBE END 8-4 | | 1 |
| 3 | 3302409 | FTG-NUT #8 BTX-5 | | 1 |
| 4 | 3306870 | VALVE-RELIEF POWER STEERING | | 1 |
| 5 | 3400154 | FTG-90 3/4-16 TO #8 | | 2 |
| 6 | - | Reserved for future use | - | - |
| 7 | - | Reserved for future use | - | - |
| 8 | 3304899 | FTG-ADAP 3/4-16 TO 1/2 OD TUBE | | 2 |
| 9 | 3400636 | FTG-ADAPTOR SWIVEL NUT ELBOW | | 1 |
| 10 | 3402002 | FTG-ADAPTER STRAIGHT #12 | | 1 |
| 11 | 3400155 | FTG-90 7/8-14 TO #8 | | 2 |
| 12 | 3402041 | FTG-#12 RUN TEE | | 1 |
| 13 | - | Reserved for future use | - | - |
| 14 | 3400303 | SCR-HEX,5/16-18X4.50 ZP | | 2 |
| 15 | 3400384 | WASHER-CONICAL SPRING 5/16 | | 2 |
| 16 | 3302407 | FTG-90 EL 7/16-20 TO 1/4 TUBE | | 1 |
| 17 | 3338183 | FITTING-SEE EXT DESCRIPTION | | 2 |
| 18 | 3339320 | ASSY- HYD VALVE BLOCK PBLB | | 1 |
| 19 | 3400163 | FTG-TEE OFFSET 3/4-16 TO #8 | | 1 |
| 20 | 3400635 | FTG-ADAPTOR CONNECTOR 9/16-18 | | 1 |
| 21 | 3339518 | VALVE-FLOW DIVIDER LITTERBOSS | | 1 |
| 22 | 3400039 | SCR-HEX,1/4-20X2.00 ZP | | 2 |
| 23 | 3400089 | WASHER-FLAT 1/4 STANDARD ZP | | 2 |
| 24 | 3400081 | NUT-HEX 1/4-20 ES ZP | | 2 |
| 25 | 3322187 | INSERT-5/16-18 UNC | | 2 |
| 26 | 3339480 | HOSE-.50AR 14.50 ST#8 ST#8 | | 1 |
| 27 | 3339489 | HOSE-.38AR 60.00 ST#4 ST#6 | | 1 |
| 28 | 3339630 | HOSE-.50AR 21.50 ST#6 ST#8 | | 1 |
| 29 | 3339486 | HOSE-.25AR 26.00 ST#4 ST#4 | | 2 |
| 30 | 3339481 | HOSE-.38AR 67.00 ST#6 90L#6 | | 1 |
| 31 | 3339483 | HOSE-.38AR 56.00 ST#6 90L#6 | | 1 |
| 32 | 3339487 | HOSE-.50AR 26.00 ST#8 ST#8 | | 1 |
| 33 | 3332426 | FTG-C5506X6 SWNLE 90 DEG#6 | | 2 |
| 34 | 3400250 | FTG-TEE SWIVEL 1/2 TUBE | | 1 |
| 35 | 3400212 | FTG-ADAPTER 7/16-20 TO # 4 | | 1 |





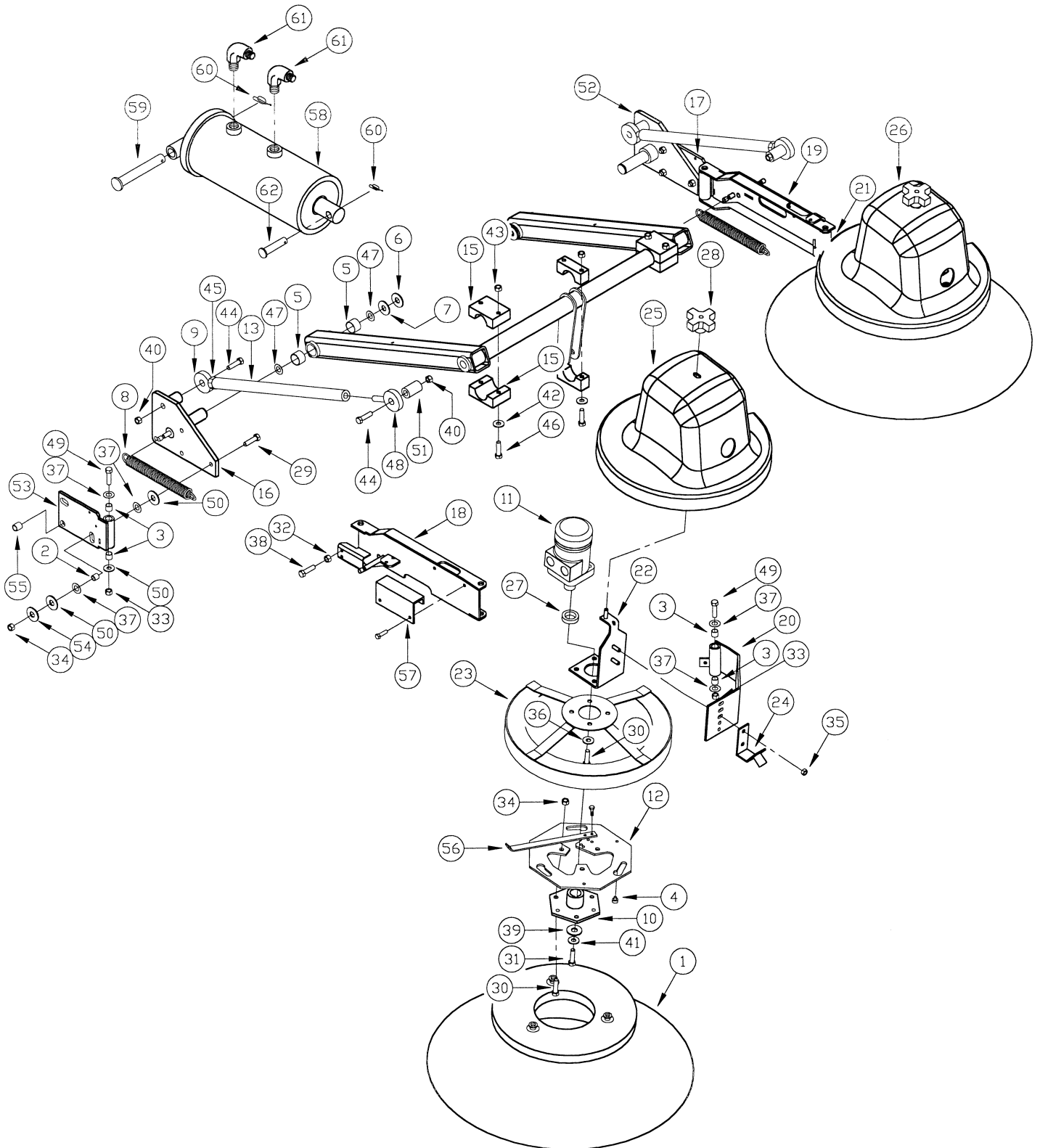
| REF # | PART # | DESCRIPTION | REMARKS | QTY. |
|-------|---------|-------------------------------|---------|------|
| 1 | 3339385 | WELDMENT-IMPELLER HOUSING | | 1 |
| 2 | 3339383 | WELDMENT- IMPELLER BLADE | | 1 |
| 3 | 3339369 | WELDMENT-IMP VAC TUBE | | 1 |
| 4 | 3339374 | BEARING- 305 PP | | 1 |
| 5 | 3339375 | SHAFT- IMP/CLUTCH | | 1 |
| 6 | 3339331 | PUMP-MAIN/AUX PBLB | | 1 |
| 7 | 3400063 | NUT-FLANGE LOCK 1/4-20 ZP | | 6 |
| 8 | 711550 | WSR NYLON .25ID X .75OD | | 1 |
| 9 | 3339472 | CABLE-CONTROL VAC SHUT-OFF | | 1 |
| 10 | 3400042 | SCR-HEX,1/4-20X0.75 ZP | | 1 |
| 11 | 3400081 | NUT-HEX 1/4-20 ES ZP | | 5 |
| 12 | 3400180 | NUT-HEX 1/4-28 ZP | | 1 |
| 13 | 3339349 | PLATE-VACUUM SHUT-OFF | | 1 |
| 14 | 3400103 | WASHER-LOCK 1/4 SPLIT ZP | | 1 |
| 15 | 3307238 | BEARING-INNER WHEEL SW/A | | 1 |
| 16 | 3300473 | RING-RET INT 2.44 | | 1 |
| 17 | 3339401 | RING-SNAP TRUARC 5100-98 | | 1 |
| 18 | 3400727 | PIN-ROLL 1/8 X 1/2 | | 1 |
| 19 | 3402043 | KEY-1/4 X 1/4 X 1.25 | | 1 |
| 20 | 3402029 | KEYSTOCK-4MM X 4MM X .75 LONG | | 1 |
| 21 | 3400326 | SCR-HEX,1/2-20X1.25 ZP | | 1 |
| 22 | 3400098 | WASHER-LOCK 1/2 SPLIT ZP | | 1 |
| 23 | 3400086 | WASHER-FLAT 1/2 STANDARD ZP | | 1 |
| - | - | END OF THIS SECTION | - | - |
| | | | | |
| | | | | |
| | | | | |
| | | | | |
| | | | | |
| | | | | |
| | | | | |
| | | | | |
| | | | | |
| | | | | |
| | | | | |
| | | | | |
| | | | | |
| | | | | |
| | | | | |
| | | | | |
| | | | | |



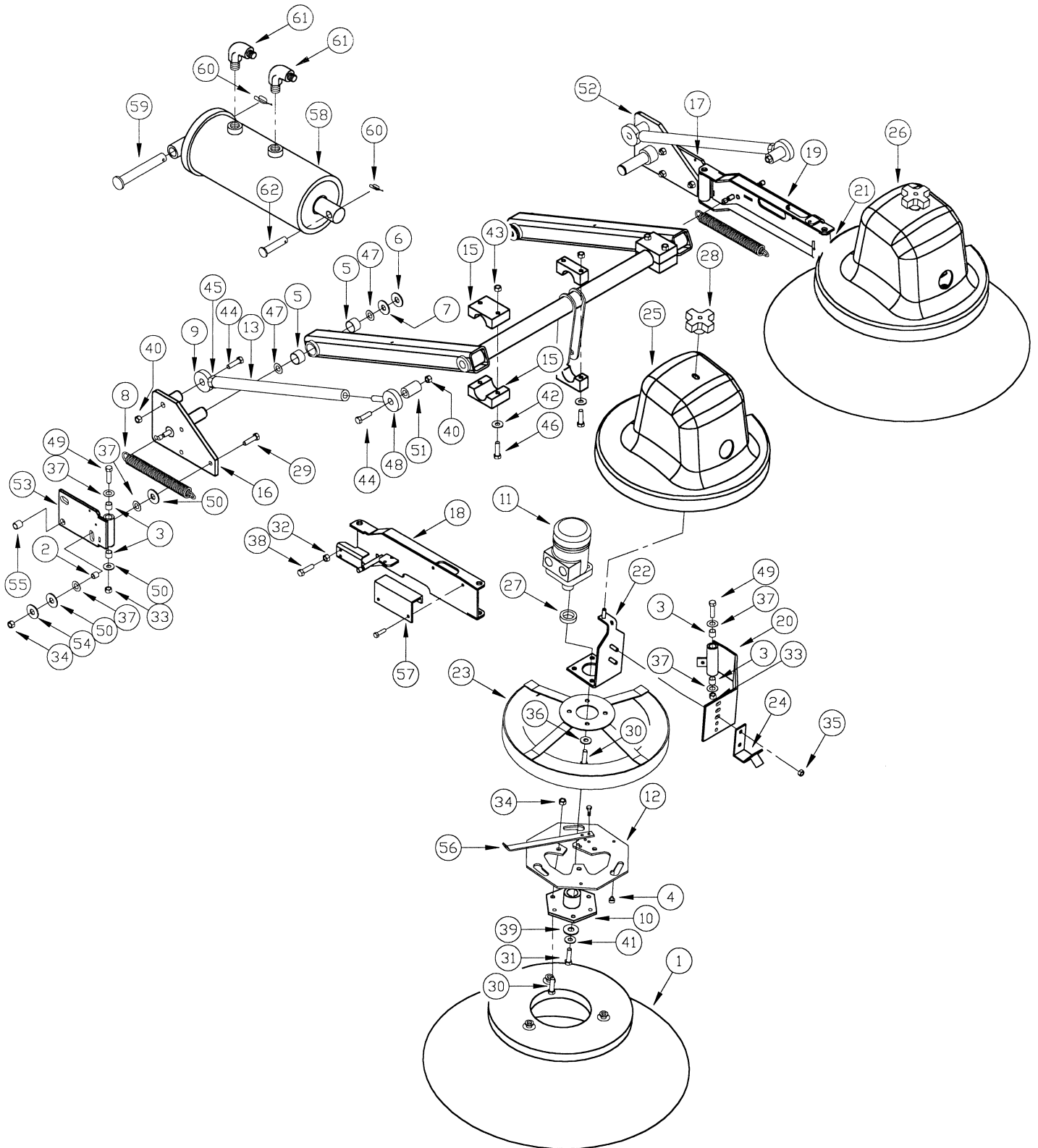


050PX001

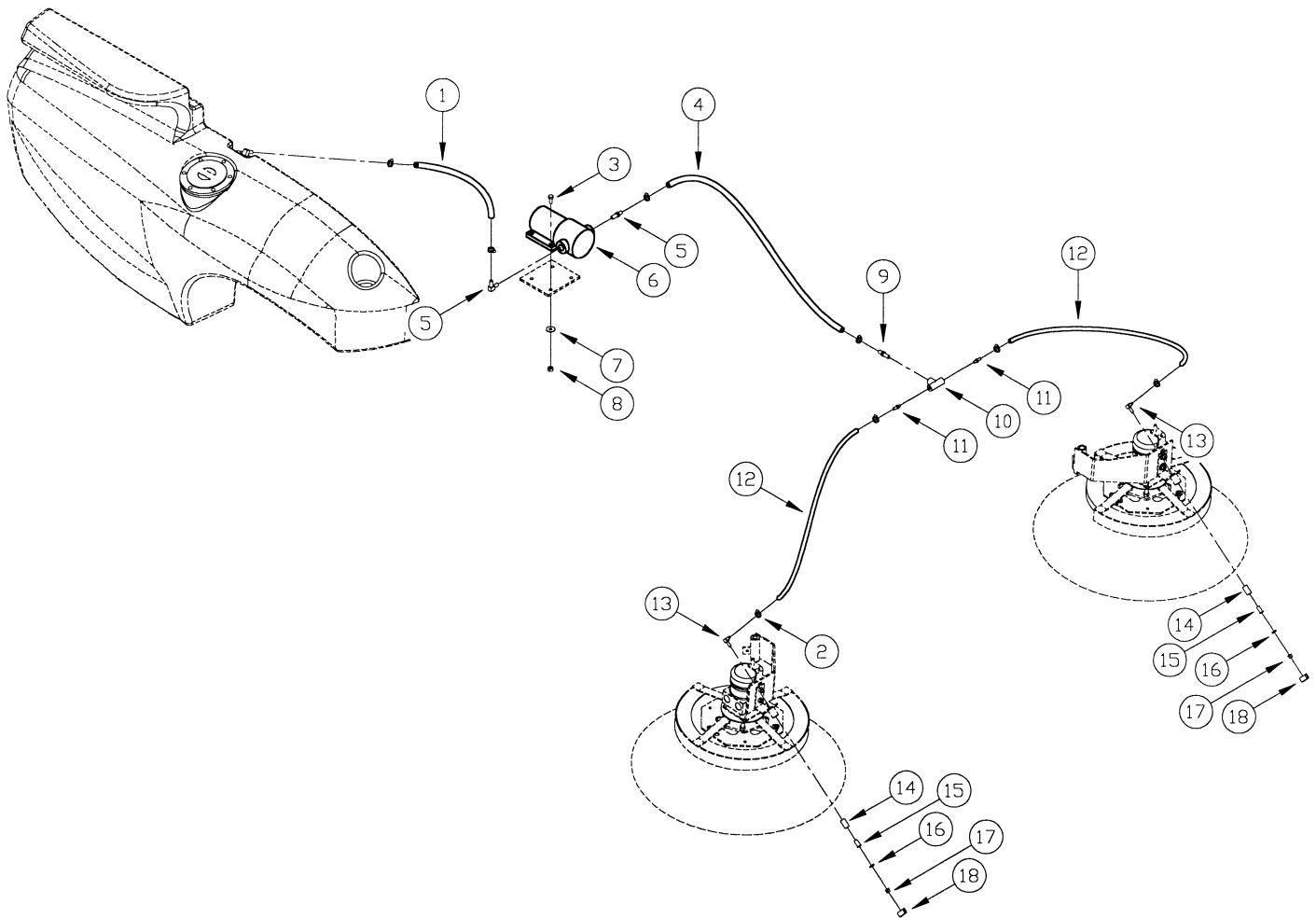
| REF # | PART # | DESCRIPTION | REMARKS | QTY. |
|-------|---------|--------------------------------|---------|------|
| 1 | 3308415 | SEAT-MICH-V560 W/SWITCH | | 1 |
| 2 | 3339291 | WELDMENT-SEAT MOUNT | | 1 |
| 3 | 3316891 | KIT-ADJUSTABLE SEAT TRACK | | 1 |
| 4 | 3306102 | LATCH-ENG COVER SW70 PLTD | | 1 |
| 5 | 3339583 | HINGE-.125X3.00X11.12LONG DKGR | | 1 |
| 6 | 3400036 | SCR-HEX,5/16-18X0.75 ZP | | 2 |
| 7 | 3302482 | BUMPER-SEAT MOUNT | | 2 |
| 8 | 3400035 | SCR-HEX,5/16-18X1.00 ZP | | 1 |
| 9 | 3400369 | SCR-CAR,5/16-18X2.75 ZP | | 1 |
| 10 | 3309084 | SPACER-OIL COOLER | | 1 |
| 11 | 3400088 | WASHER-FLAT 5/16 STANDARD ZP | | 6 |
| 12 | 3400218 | NUT-HEX JAM 5/16-18 ZP | | 1 |
| 13 | 3400080 | NUT-HEX 5/16-18 ES ZP | | 4 |
| 14 | 3400392 | NUT-FLANGE LOCK 3/8-16 | | 3 |
| 15 | 3400790 | SCREW-BHSCS .375-16 X 1 | | 3 |
| 16 | 3400079 | NUT-HEX 3/8-16 ES ZP | | 3 |
| 17 | 3301665 | GROMMET-Z-2056 | | 1 |
| 18 | 3323953 | SWITCH-SEAT QUICK MNT N.O. TC1 | | 1 |
| 19 | 3339593 | WIRE SEAT SWITCH | | 2 |
| - | - | <i>END OF THIS SECTION</i> | - | - |
| | | | | |
| | | | | |
| | | | | |
| | | | | |
| | | | | |
| | | | | |
| | | | | |
| | | | | |
| | | | | |
| | | | | |
| | | | | |
| | | | | |
| | | | | |
| | | | | |
| | | | | |
| | | | | |
| | | | | |
| | | | | |
| | | | | |
| | | | | |
| | | | | |
| | | | | |
| | | | | |
| | | | | |



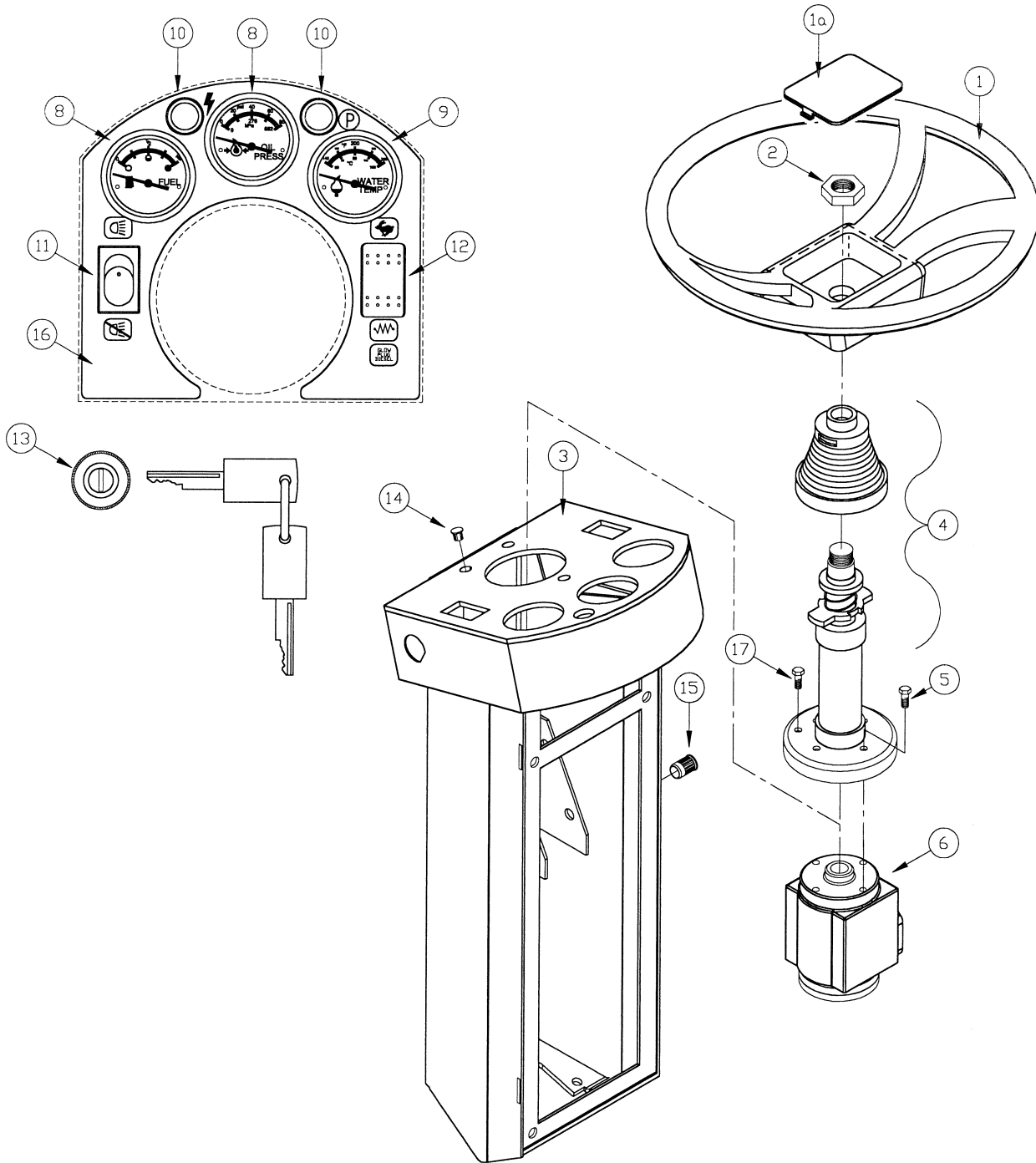
| REF # | PART # | DESCRIPTION | REMARKS | QTY. |
|-------|---------|-----------------------------------|---------|------|
| 1 | 3300307 | SIDE BRUSH-26" POLY | | 2 |
| 2 | 3300339 | SLEEVE-SQ & FWD/REV | | 6 |
| 3 | 3300430 | BUSHING-.499 ID X .594 OD (x .38) | | 8 |
| 4 | 3300526 | BUMPER-RUBBER 1/4 ID X 1/8 THK | | 6 |
| 5 | 3300837 | BEARING-1.12 OD X 1.00 ID X.75 | | 4 |
| 6 | 3301998 | RING-RET EXT .940 | | 2 |
| 7 | 3305516 | SPACER-1.00ID X 1.50OD X .054 | | 2 |
| 8 | 3311033 | SPRING-EXTENSION MB SW/62 | | 4 |
| 9 | 3311977 | ROD END-MALE 1/2-20 | | 2 |
| 10 | 3313212 | WELD-GIMBLE PLATE 62/72 GAS/DS | | 2 |
| 11 | 3316895 | MOTOR-HYD SCRUB HEAD MS/FS | | 2 |
| 12 | 3301262 | PLATE-GIMBAL SC HD PLTD | | 2 |
| 13 | 3339098 | ROD-SIDE BROOM ARM | | 2 |
| 14 | 3339155 | BEARING-UHMW 1.50 DIA X 1.00 | | 2 |
| 15 | 3339156 | BEARING-UHMW 1.50 DIA X 2.25 | | 4 |
| 16 | 3339157 | WELDMENT-SIDE BROOM MNT RH | | 1 |
| 17 | 3339163 | WELDMENT-BROOM PIVOT LH | | 1 |
| 18 | 3339166 | WELDMENT-BROOM ARM RH | | 1 |
| 19 | 3339167 | WELDMENT-BROOM ARM LH | | 1 |
| 20 | 3339177 | WELDMENT-BRM EXTENSION RH | | 1 |
| 21 | 3339178 | WELDMENT-BRM EXTENSION LH | | 1 |
| 22 | 3339183 | WELDMENT-BROOM MOTOR MOUNT | | 2 |
| 23 | 3339185 | WELDMENT-BROOM GUARD | | 2 |
| 24 | 3339195 | WELDMENT-NOZZLE BRACKET | | 2 |
| 25 | 3339314 | BRUSH MOTOR COVER RIGHT | | 1 |
| 26 | 3339315 | BRUSH MOTOR COVER LEFT | | 1 |
| 27 | 3339627 | SPACER-BROOM DRIVE | | 2 |
| 28 | 430074 | ADJUSTING NUT 17B/E | | 2 |
| 29 | 3400028 | SCR-HEX,3/8-16X1.50 ZP | | 6 |
| 30 | 3400030 | SCR-HEX,3/8-16X1.00 ZP | | 8 |
| 31 | 3400049 | SCR-SOC,1/4-20X0.75 ZP NYLOCK | | 2 |
| 32 | 3400068 | NUT-HEX 3/8-16 ZP | | 4 |
| 33 | 3400078 | NUT-HEX 1/2-13 ES ZP | | 4 |
| 34 | 3400079 | NUT-HEX 3/8-16 ES ZP | | 6 |
| 35 | 3400080 | NUT-HEX 5/16-18 ES ZP | | 2 |

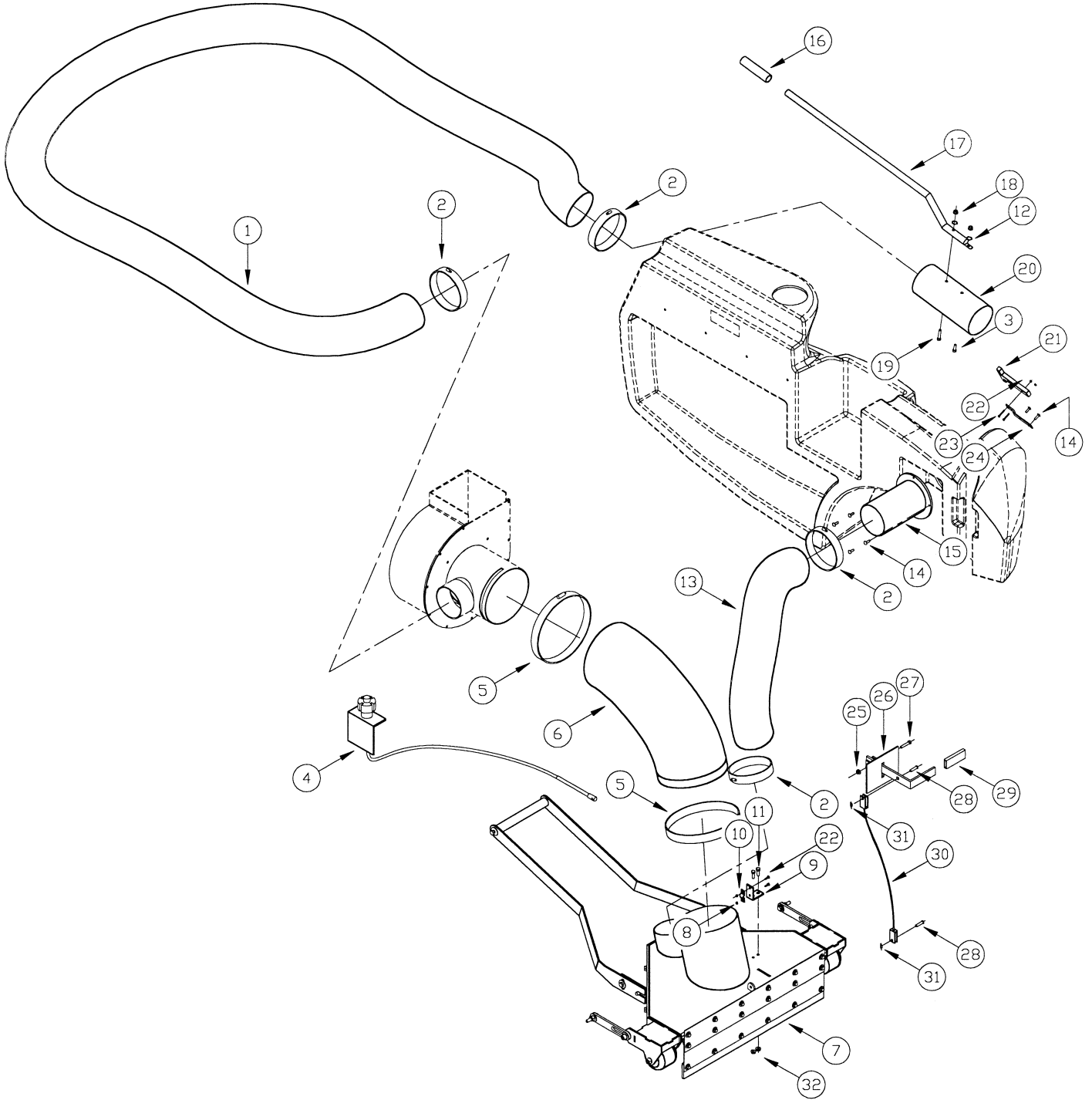


| REF # | PART # | DESCRIPTION | REMARKS | QTY. |
|-------|---------|--------------------------------|---------|------|
| 36 | 3400101 | WASHER-LOCK 3/8 SPLIT ZP | | 8 |
| 37 | 3400178 | BRG-THRUST .531 ID X 1.00 OD | | 12 |
| 38 | 3400013 | SCR-SOC,3/8-16X1.62 ZP | | 4 |
| 39 | 3400278 | WASHER-FENDER 3/8 | | 4 |
| 40 | 3400317 | NUT-HEX JAM 1/2-13 ES ZP | | 4 |
| 41 | 3400383 | WASHER-CONICAL SPRING 1/4 | | 6 |
| 42 | 3400384 | WASHER-CONICAL SPRING 5/16 | | 6 |
| 43 | 3400390 | NUT-FLANGE LOCK 5/16-18 | | 6 |
| 44 | 3400405 | SCR-HEX,1/2-13X3.00 ZP | | 4 |
| 45 | 3400449 | NUT-HEX JAM 1/2-20 ZP | | 2 |
| 46 | 3400467 | SCR-HEX,5/16-18X3.00 GR 5 | | 6 |
| 47 | 3402014 | WASHER-FIBERGLIDE 1.0 IDX 1/16 | | 4 |
| 48 | 3402019 | ROD END-MALE 1/2-20 LH ZP | | 2 |
| 49 | 3402035 | SCR-HEX 1/2-13 X 5.00 GR5 ZP | | 4 |
| 50 | 711592 | WSR NYLON .5X1.06X.06 5 ZP | | 20 |
| 51 | 3339099 | SPACER-SIDE BROOM MOUNT | | 2 |
| 52 | 3339158 | WELDMENT-SIDE BROOM MNT LH | | 1 |
| 53 | 3339162 | WELDMENT-BROOM PIVOT RH | | 1 |
| 54 | 3400087 | WASHER-FLAT 3/8 STANDARD ZP | | 6 |
| 55 | 3300431 | BUSHING-.499 ID X .594 OD | | 2 |
| 56 | 3302058 | RETAINER BRUSH | | 2 |
| 57 | 3339513 | PLATE - HOSE COVER | | 2 |
| 58 | 3339336 | CYL- HYD PBLB | | 1 |
| 59 | 3400112 | PIN-CLEVIS 5/8 X 4-3/4 ZP | | 1 |
| 60 | 3400124 | PIN-COTTER 5/8 RUE-RING | | 2 |
| 61 | 3302407 | FTG-90 EL 7\16-20 TO 1\4 TUBE | | 2 |
| 62 | 3308225 | PIN-CLEVIS 1/2 X 2.00 ZP | | 1 |
| - | - | END OF THIS SECTION | - | - |
| | | | | |
| | | | | |
| | | | | |
| | | | | |
| | | | | |
| | | | | |
| | | | | |
| | | | | |



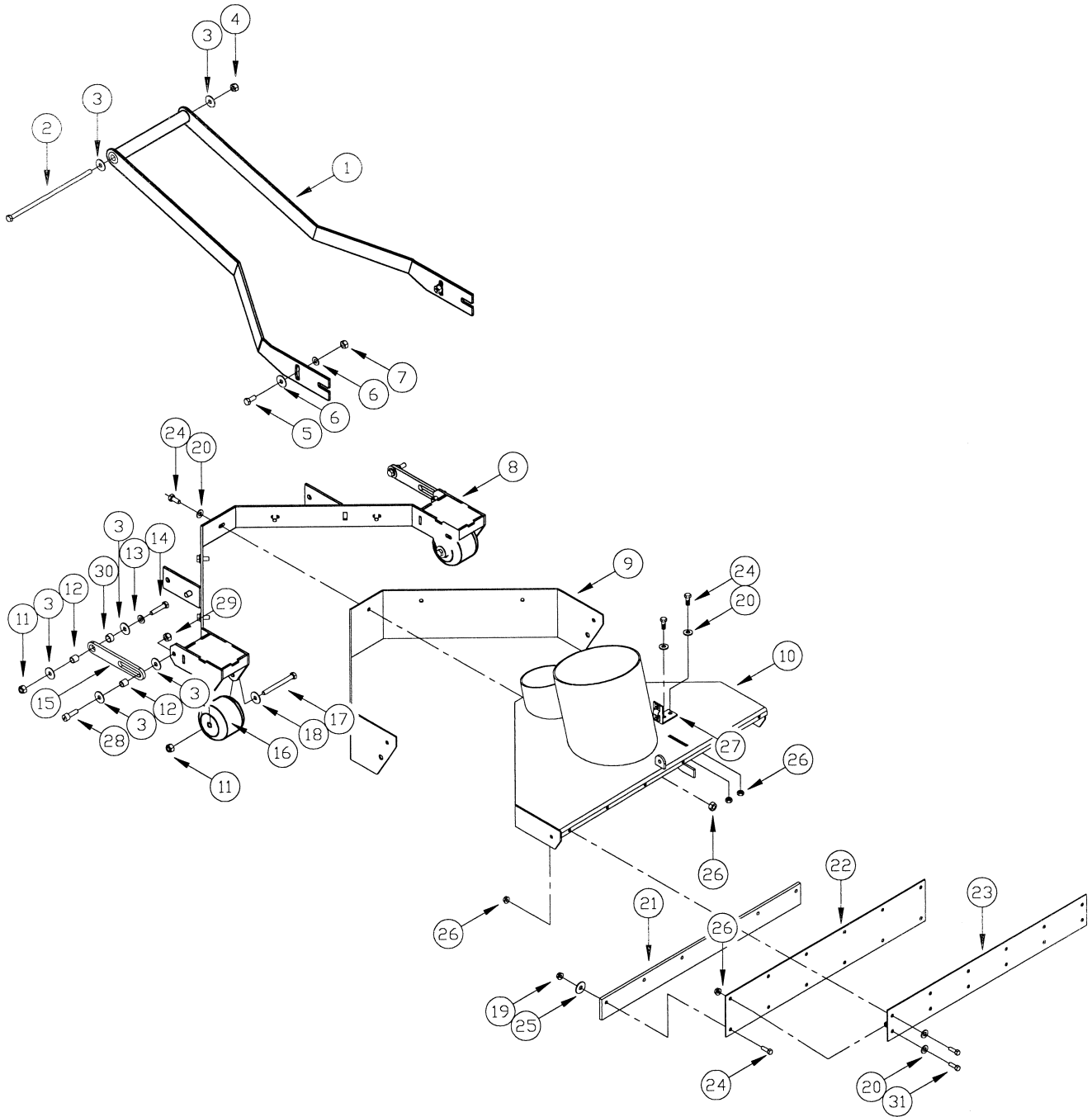
| REF # | PART # | DESCRIPTION | REMARKS | QTY. |
|-------|---------|--------------------------------|---------|------|
| 1 | 3339642 | HOSE-SOLUTION 3/8ID X 30" | | 1 |
| 2 | 3302338 | CLAMP-HOSE .22 TO .62 | | 8 |
| 3 | 712532 | SCR-MC 10-24X1.00 SS | | 4 |
| 4 | 3339641 | HOSE-SOLUTION 3/8ID X 36" | | 1 |
| 5 | 3309339 | FTG-ADPT 3/8MPT TO 3/8 HOSE BR | | 2 |
| 6 | 3302243 | PUMP-SOLUTION ES OPT. | | 1 |
| 7 | 711503 | WSR-FLAT #10 | | 4 |
| 8 | 712638 | NUT HEX 10/24 SS NYLOC | | 4 |
| 9 | 3400261 | FTG-HOSE BARB 1/4 MPT TO 3/8 | | 1 |
| 10 | 3400893 | FTG-1/4 FPT TEE | | 1 |
| 11 | 3402037 | FTG-HOSE BAR1/4MPT TO 1/8 ID | | 2 |
| 12 | 3339640 | HOSE-SOLUTION 1/8ID X 55" | | 2 |
| 13 | 3402022 | FTG-90 1/4 MPT X 1/4 HOSE BARB | | 2 |
| 14 | 833140 | BODY INLET CONN. | | 2 |
| 15 | 3339635 | CHECK-VALVE 20 PSI-SPRAY NOZZL | | 2 |
| 16 | 833142 | GASKET, CAP | | 2 |
| 17 | 3339519 | NOZZLE, SPRAY LITTERBOSS | | 2 |
| 18 | 833141 | CAP | | 2 |
| - | - | END OF THIS SECTION | - | - |
| | | | | |
| | | | | |
| | | | | |
| | | | | |
| | | | | |
| | | | | |
| | | | | |
| | | | | |
| | | | | |
| | | | | |
| | | | | |
| | | | | |
| | | | | |
| | | | | |
| | | | | |
| | | | | |
| | | | | |
| | | | | |
| | | | | |
| | | | | |
| | | | | |
| | | | | |
| | | | | |





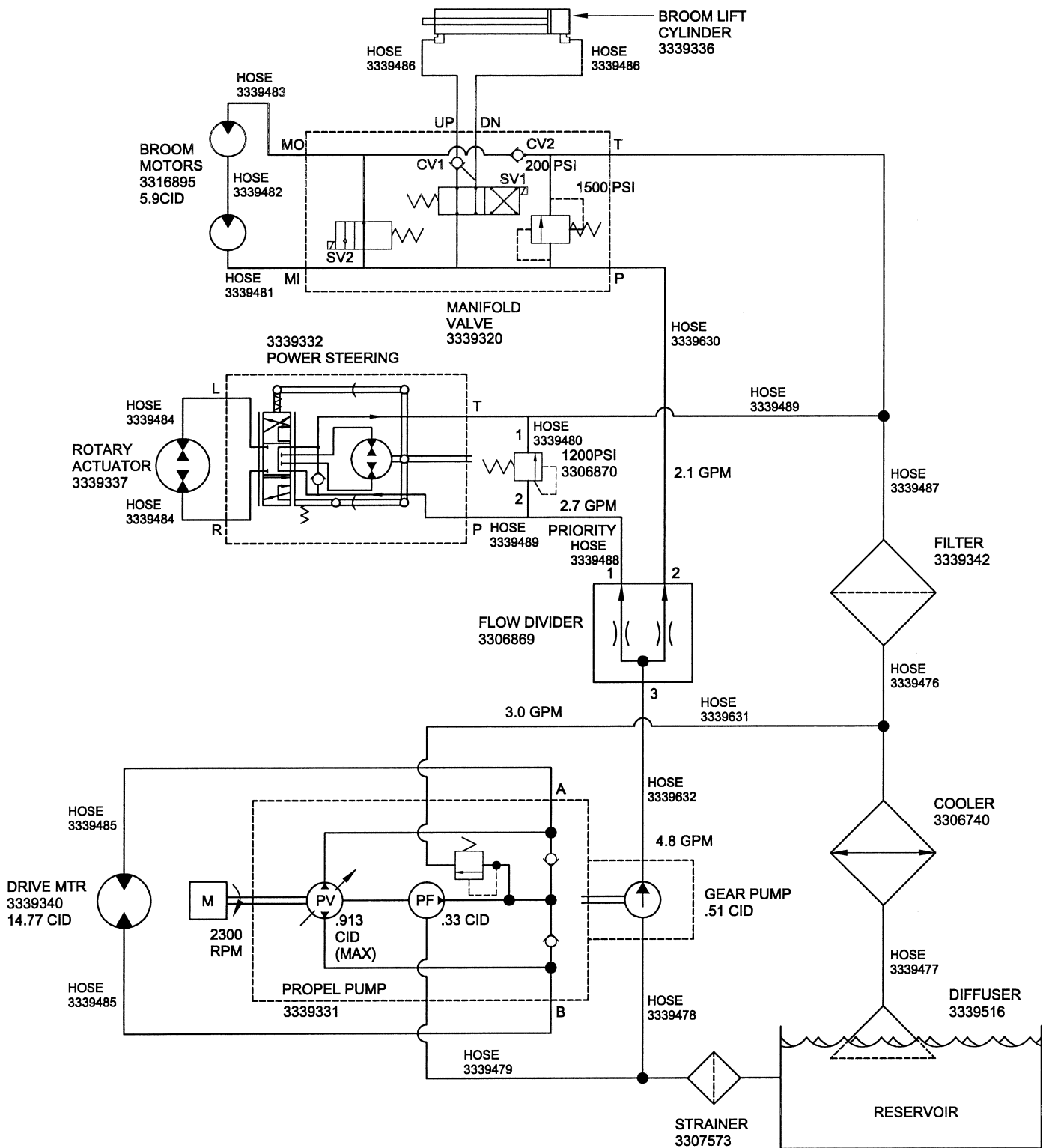
130PX001

| REF # | PART # | DESCRIPTION | REMARKS | QTY. |
|-------|---------|------------------------------|---------|------|
| 1 | 3339459 | HOSE-VAC WAND 4.00 DIA | | 1 |
| 2 | 3339589 | CLAMP-DUCT 4.00" | | 4 |
| 3 | 3400010 | SCR-CAR,1/4-20X0.75 ZP | | 1 |
| 4 | 3307948 | CABLE-THROTTLE KBA DSL | | 1 |
| 5 | 3339578 | CLAMP-HOSE 5.6/8.5 | | 2 |
| 6 | 3339458 | HOSE-SUCTION 7.00 DIA | | 1 |
| 7 | 3339014 | ASSY-VACUUM HEAD | | 1 |
| 8 | 3400480 | NUT-HEX 10-24 | | 2 |
| 9 | 3339466 | MOUNT-FLAP CABLE | | 1 |
| 10 | 3339147 | BRKT-RETAINING CONTROL CABLE | | 1 |
| 11 | 3400042 | SCR-HEX,1/4-20X0.75 ZP | | 2 |
| 12 | 3400103 | WASHER-LOCK 1/4 SPLIT ZP | | 2 |
| 13 | 3339460 | HOSE-REGEN 2.00 DIA | | 1 |
| 14 | 711161 | SCR HI/LO #10 X 3/4 PL | | 4 |
| 15 | 3339580 | WELDMENT-REGEN OUTLET | | 1 |
| 16 | 78-71-A | HANDLE GRIP WHITE | | 1 |
| 17 | 3339586 | HANDLE-VAC WAND | | 1 |
| 18 | 3400071 | NUT-HEX 1/4-20 ZP | | 2 |
| 19 | 712571 | CR BLT SS 1/4 20 X 1.5 | | 1 |
| 20 | 3339585 | TUBE-VAC WAND LITTERBOSS | | 1 |
| 21 | 3311941 | LATCH-FLEXIBLE T-HANDLE | | 1 |
| 22 | 3400316 | SCR-SOC,10-24X0.50 ZP | | 4 |
| 23 | 712822 | SCR-THMS 10-24X.50 SS | | 2 |
| 24 | 3339434 | MNT-WAND LATCH | | 1 |
| 25 | 3400079 | NUT-HEX 3/8-16 ES ZP | | 1 |
| 26 | 3339510 | LEVER-VAC HEAD LIFT | | 1 |
| 27 | 3400029 | SCR-HEX,3/8-16X1.25 ZP | | 1 |
| 28 | 3400118 | PIN-CLEVIS 5/16 X 7/8 ZP | | 2 |
| 29 | 3339575 | GRIP-VINYL 1/4 X 1 X 4 | | 1 |
| 30 | 3339141 | CABLE-ASSEMBLY VAC LIFT | | 1 |
| 31 | 3400125 | PIN-COTTER 3/8 RUE-RING | | 2 |
| 32 | 3400063 | NUT-FLANGE LOCK 1/4-20 ZP | | 2 |
| - | - | END OF THIS SECTION | - | - |
| | | | | |
| | | | | |

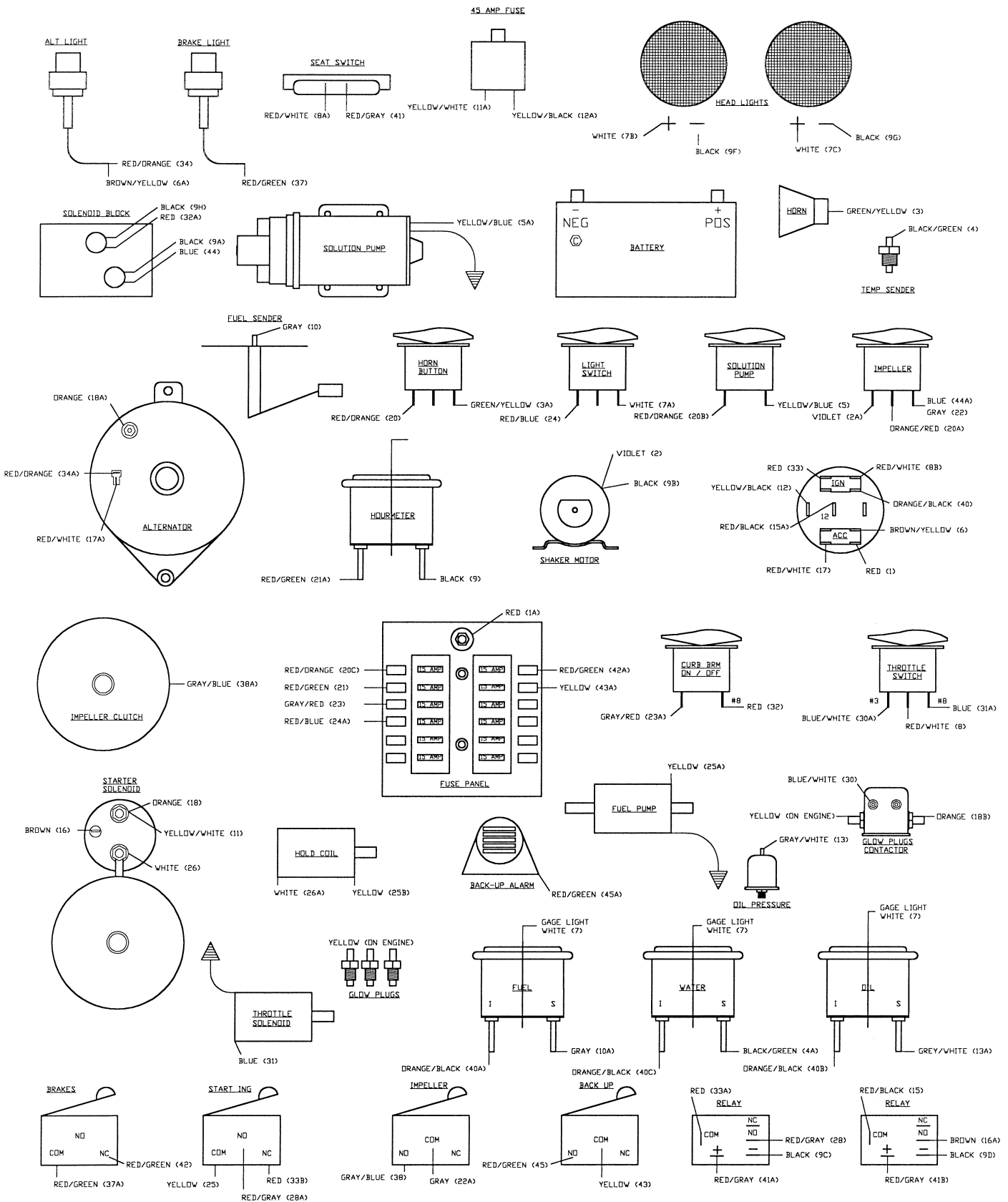


130PX002

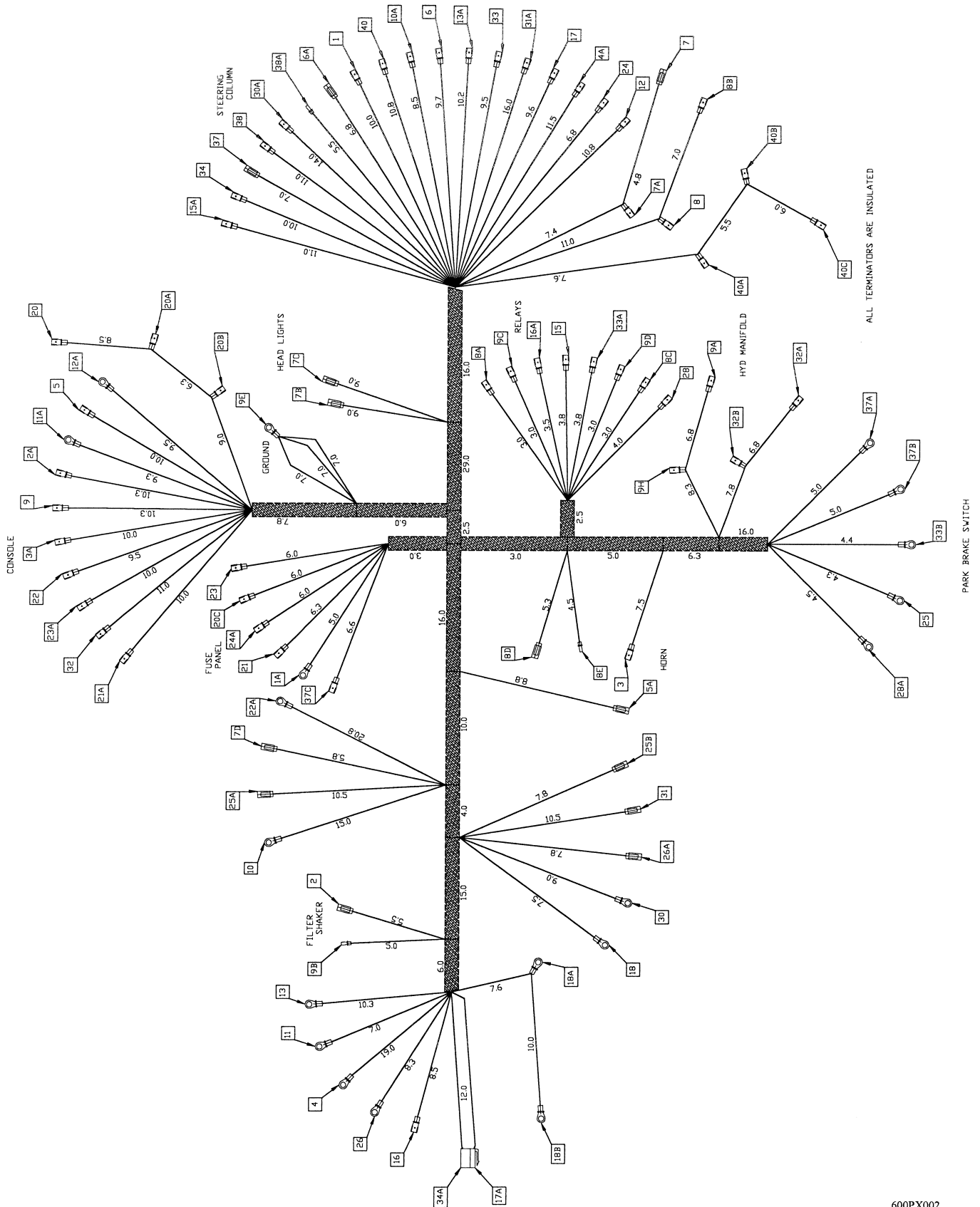
| REF # | PART # | DESCRIPTION | REMARKS | QTY. |
|-------|---------|-----------------------------|---------|------|
| 1 | 3339530 | WELDMENT-VAC HEAD LIFT | | 1 |
| 2 | 3402021 | SCR-HEX, 1/2-13 X 9.50 ZP | | 1 |
| 3 | 711592 | WSR NYLON .5X1.06X.06 | | 10 |
| 4 | 3400078 | NUT-HEX 1/2-13 ES ZP | | 1 |
| 5 | 3400028 | SCR-HEX,3/8-16X1.50 ZP | | 2 |
| 6 | 3400087 | WASHER-FLAT 3/8 STANDARD ZP | | 2 |
| 7 | 3400079 | NUT-HEX 3/8-16 ES ZP | | 4 |
| 8 | 3339087 | WELDMENT-VACUUM HEAD MNT | | 1 |
| 9 | 3339096 | SKIRT-VACUUM HEAD | | 1 |
| 10 | 3339190 | WELDMENT-VACUUM HEAD | | 1 |
| 11 | 3400079 | NUT-HEX 3/8-16 ES ZP | | 4 |
| 12 | 3300339 | SLEEVE-SQ & FWD/REV | | 4 |
| 13 | 3400087 | WASHER-FLAT 3/8 STANDARD ZP | | 2 |
| 14 | 3400028 | SCR-HEX,3/8-16X1.50 ZP | | 2 |
| 15 | 3339097 | LINK-VACUUM HEAD LIFT | | 2 |
| 16 | 3339509 | ROLLER-3.0 DIA X 2.63 UHMW | | 2 |
| 17 | 3400501 | SCR-HEX,3/8-16X4.00 ZP | | 2 |
| 18 | 3400278 | WASHER-FENDER 3/8 | | 2 |
| 19 | 3400081 | NUT-HEX 1/4-20 ES ZP | | 8 |
| 20 | 3400383 | WASHER-CONICAL SPRING 1/4 | | 19 |
| 21 | 3339462 | FLAP-FRONT VAC HEAD | | 1 |
| 22 | 3339463 | WELDMENT-FLAP LIFT BRKT | | 1 |
| 23 | 3339461 | HINGE-VAC HEAD FLAP | | 1 |
| 24 | 3400042 | SCR-HEX,1/4-20X0.75 ZP | | 27 |
| 25 | 3400090 | WASHER-FENDER 1/4 ZP | | 6 |
| 26 | 3400063 | NUT-FLANGE LOCK 1/4-20 ZP | | 19 |
| 27 | 3339466 | MOUNT-FLAP CABLE | | 1 |
| 28 | 3400943 | BOLT-SHOULDER 3/8 X 1/2 | | 2 |
| 29 | 3400080 | NUT-HEX 5/16-18 ES ZP | | 2 |
| 30 | 3300431 | BUSHING-.499 ID X .594 OD | | 2 |
| - | - | END OF THIS SECTION | - | - |
| | | | | |
| | | | | |
| | | | | |



600PX001

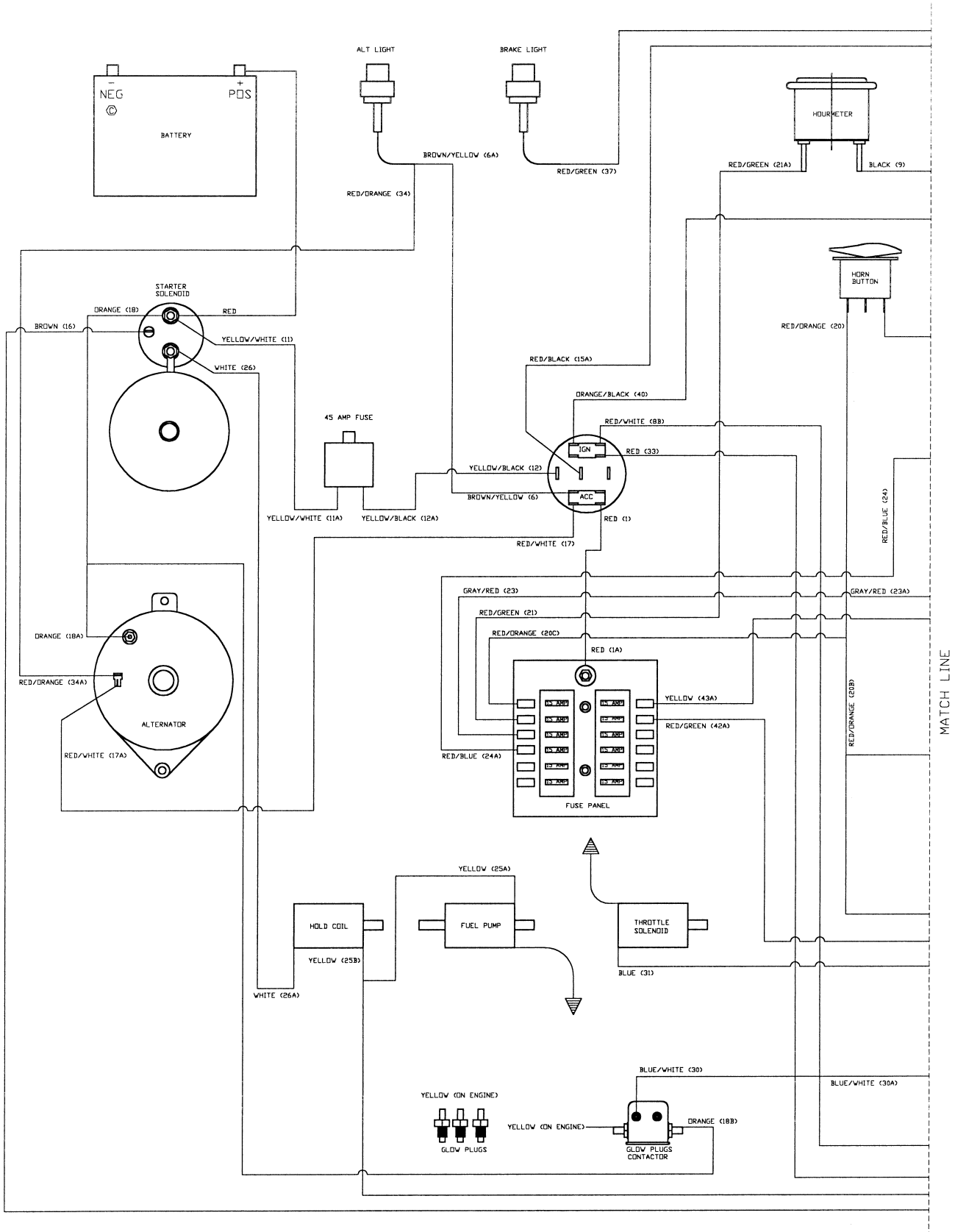


600PX004

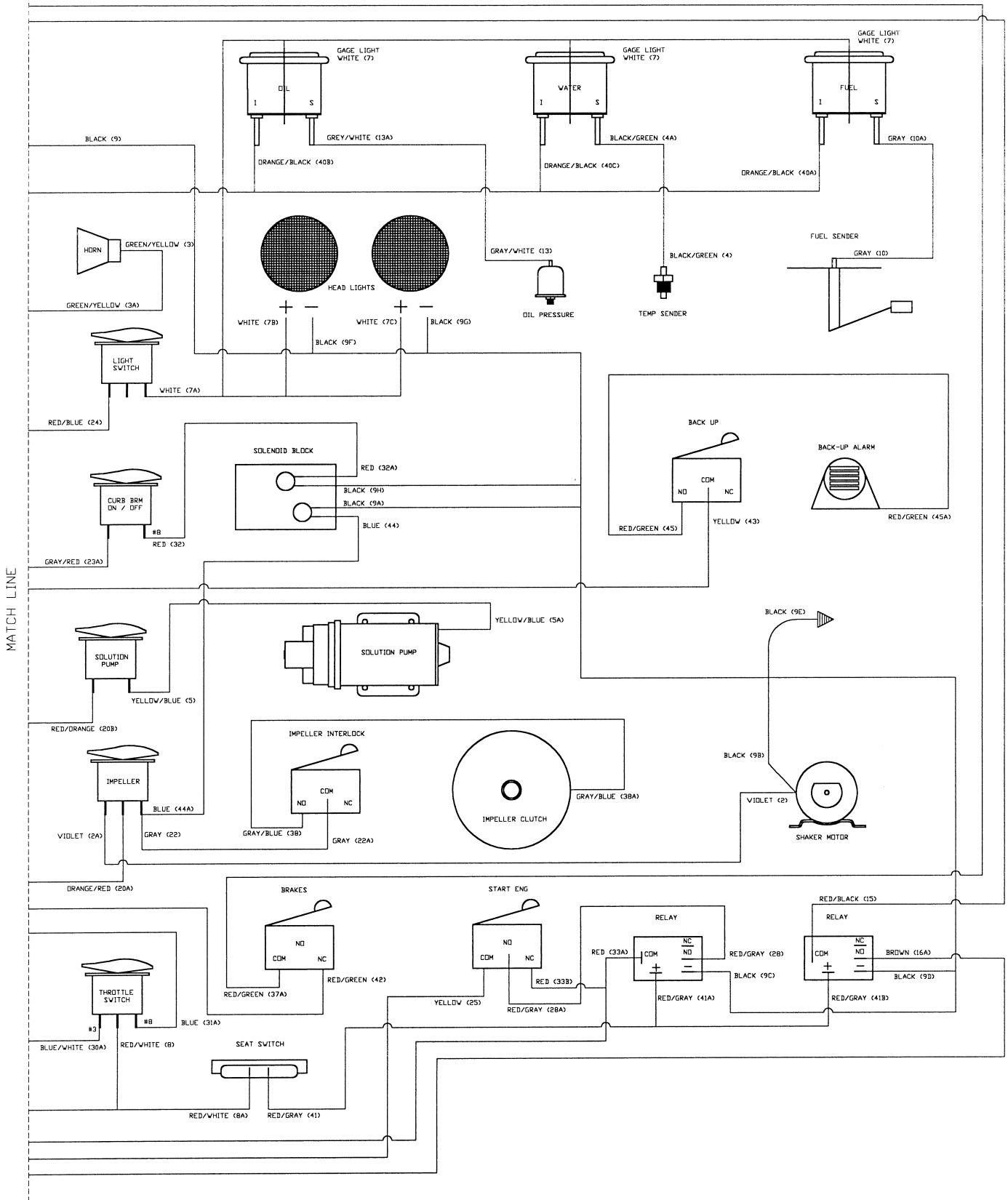


| LINE | END | WIRE COLOR | TERM | WIRE GA. | DESCRIPTION |
|------|-----|------------|------|----------|--------------------------------|
| 1 | 1 | RED | @ | 10 | IGN. SWITCH (ACC.) |
| | 1A | | > | 10 | FUSE PANEL STUD TERMINAL |
| 2 | 2 | BLUE | \$ | 14 | FILTER SHAKER MOTOR (+) |
| | 2A | | @ | 14 | FILTER SHAKER BUTTON |
| 3 | 3 | DK. BLUE | @ | 14 | HORN |
| | 3A | | @ | 14 | HORN BUTTON |
| 4 | 4 | LT. GREEN | > | 16 | TEMP. SENDER |
| | 4A | | @ | 16 | TEMP. GAUGE(S TERM) |
| 5 | 5 | ORANGE | @ | 16 | PUMP SWITCH |
| | 5A | W/ WHITE | \$ | 16 | SOLUTION PUMP/ SOLENOID |
| 6 | 6 | GREY | @ | 16 | IGN. SW. (ACC) |
| | 6A | W/ BROWN | \$ | 16 | ALT. LIGHT |
| 7 | 7 | WHITE | \$ | 12 | GAUGE LIGHTS |
| | 7A | | @ | 12 | HEADLIGHT SWITCH |
| | 7B | | \$ | 12 | HEADLIGHT |
| | 7C | | \$ | 12 | HEADLIGHT |
| | 7D | | \$ | 12 | TAIL LIGHTS |
| 8 | 8 | RED | @ | 14 | THROTTLE SWITCH (CENTER) + |
| | 8A | W/ GREY | * | 14 | POWER TO RELAY |
| | 8B | | @ | 14 | IGNITION SWITCH |
| | 8C | | * | 14 | POWER TO RELAY |
| | 8D | | \$ | 14 | SEAT |
| | 8E | | % | 14 | SEAT |
| 9 | 9 | BLACK | @ | 14 | HRUR METER (-) |
| | 9A | | @ | 14 | CRB BRM HYD MANIFOLD GROUND |
| | 9B | | % | 14 | FLT SHAKER GROUND |
| | 9C | | * | 14 | RELAY GROUND |
| | 9D | | * | 14 | RELAY GROUND |
| | 9E | | @ | 14 | TO GROUND |
| | | | & | 14 | TO GROUND |
| | | | @ | 14 | TO GROUND |
| | 9H | | @ | 14 | HYD MANIFOLD |
| 10 | 10 | DK GREEN | > | 16 | FUEL TANK SENDER |
| | 10A | | @ | 16 | FUEL GAUGE (S TERM) |
| 11 | 11 | YELLOW | & | 10 | STARTER SOLENOID (BAT.) |
| | 11A | W/ WHITE | > | 10 | CIRCUIT BREAKER 45A |
| 12 | 12 | YELLOW | @ | 10 | IGN. SWITCH (BAT) |
| | 12A | W/ BLACK | > | 10 | CIRCUIT BREAKER 45A |
| 13 | 13 | GREY | > | 16 | OIL SENDER |
| | 13A | W/ WHITE | @ | 16 | OIL GAUGE (S TERM) |
| 15 | 15 | RED | @ | 12 | RELAY (COM) |
| | 15A | W/ BLACK | @ | 12 | IGN. SWITCH ST |
| 16 | 16 | BROWN | @ | 14 | IGN. SWITCH (STARTER) |
| | 16A | | @ | 14 | RELAY (NO) |
| 17 | 17 | RED | @ | 12 | IGNITION SWITCH ACC |
| | 17A | W/ WHITE | *** | 12 | ALTERNATOR PLUG |
| 18 | 18 | ORANGE | & | 10 | STARTER SOLENOID (BAT) |
| | 18A | | & | 10 | ALTERNATOR LUG |
| | 18B | | ^ | 10 | GLOW PLUG RELAY |
| 20 | 20 | RED | @ | 12 | HORN BUTTON |
| | 20A | W/ ORANGE | @ | 12 | IMP SWITCH |
| | 20B | | @ | 12 | WATER PUMP SWITCH |
| | 20C | | @ | 12 | FUSE PANEL |
| 21 | 21 | RED | @ | 14 | 15A FUSE @ FUSE PANEL |
| | 21A | W/ GREEN | @ | 14 | HRUR METER (-) |
| 22 | 22 | GREY | @ | 16 | IMP SW. |
| | 22A | | > | 16 | ROLLER SW. IMP |
| 23 | 23 | GREY | @ | 16 | FUSE-PANEL (15 AMP) |
| | 23A | W/ RED | @ | 16 | PUMP SW. |
| 24 | 24 | RED | @ | 12 | HEADLIGHT SWITCH + |
| | 24A | W/ BLUE | @ | 12 | 15A FUSE @ FUSE PANEL |
| | 25 | | > | 12 | SAFETY SW. (COM) |
| 25 | 25A | YELLOW | \$ | 12 | FUEL PUMP (GAS & DSL) |
| | 25B | | \$ | 12 | HOLD COIL (DSL) |
| 26 | 26 | WHITE | \$ | 14 | STARTER (MOTOR SIDE) |
| | 26A | | \$ | 14 | PULL IN COIL (DIESEL) |
| 28 | 28 | RED | @ | 12 | RELAY (NO) |
| | 28A | W/ GREY | > | 12 | ROLLER SW (NO) |
| 30 | 30 | BLUE | > | 14 | CHOKE SOL (GAS) GLOW RLY (DSL) |
| | 30A | W/ WHITE | @ | 14 | THROTTLE SWITCH #8 TERM. |
| 31 | 31 | BLUE | \$ | 14 | THROTTLE SOLENOID + |
| | 31A | | @ | 14 | THROTTLE SWITCH #3 TERM. |
| 32 | 32 | RED | @ | 16 | CRB BRM SWITCH-#8 TERMINAL |
| | 32A | | @ | 16 | SOLENOID PLUG 1 TERMINAL #1 |
| | 32B | | @ | 16 | HYD MANIFOLD |
| 33 | 33 | RED | @ | 12 | IGNITION SWITCH IGN |
| | 33A | | @ | 12 | VACUUM SENSOR(LP) OR CARB SOL |
| | | | | | (GAS) OR HOLD COIL (DSL) |
| | 33B | | > | 12 | FUEL PUMP (GAS & DSL) |
| 34 | 34 | RED | @ | 12 | IGNITION SWITCH ACC |
| | 34A | W/ ORANGE | *** | 12 | ALTERNATOR PLUG |
| 37 | 37 | RED | \$ | 16 | BRAKE LIGHT |
| | 37A | W/ GREEN | > | 16 | ROLLER SW. COM |
| | 37B | | > | 16 | ROLLER SW NC |
| | 37C | | @ | 16 | FUSE PANEL |
| 38 | 38 | GREY | @ | 16 | IGN SWITCH |
| | 38A | W/ BLUE | % | 16 | ALT LIGHT |
| 40 | 40 | ORANGE | @ | 14 | IGN SW ACC |
| | 40A | W/ BLACK | @ | 14 | FUEL GA |
| | 40B | | @ | 14 | OIL GA. |
| | 40C | | @ | 14 | 40C WATER GA |

600PX003



600PX005



600PX006

Minuteman[®]

PowerBoss[®]

LitterBoss[™]

Parts Manual



Minuteman PowerBoss, Inc.

175 Anderson Street

Aberdeen, North Carolina 28315 USA

(910) 944-2167 / FAX (910) 944-7409